

REDFOOT[®]

LEVELLING

Installation Manual for



3 Jack and Dual Systems



Updated: July 2024

Before starting the installation, check the content of all boxes received against the picking slip which is attached to the outer of the main carton. Please call Redfoot® Levelling immediately if there is a discrepancy!

WARNING!

This is a 12VDC System **DO NOT** connect to your 24Volt House Battery

Warning:

Redfoot Levelling does not promote the use of our levelling systems as a 'Tyre Jack' solution. If the owner/user were to use the levelling system to lift the vehicle off the ground to have access underneath the vehicle or for changing a tyre, they must use Jack Stands as the primary support. Jack Stands should be always in use as the primary support when wheels are off the ground for long durations.

Modification of any factory-supplied item may result in the denial of all warranty claims. Call Redfoot Levelling Solutions Technical Support prior to any modifications. Redfoot Levelling Solutions offers full installation support for authorised approved Installers only. End user installers must read and accept our Warranty and Terms and Conditions on the Invoice issued with this purchase.

Danger:

With any hydraulic application, holding position on a cylinder must be done with safety in mind. System failure may cause the jack(s) to retract or extend suddenly. When working under or near the vehicle, always use jack stands of appropriate rating to support the weight of the vehicle

Contents

Tools Required for Installation	4
Additional Items Required for Installation	4
Installing the Cylinders	5
Installing the Pump.....	7
Installing the Fittings	8
Installing the feet.....	9
Installing the Hoses	10
Controller to Pump Assembly.....	10
Purging the Cylinders of Air	13
Manual Override.....	14
7898/7097 Pump	14
Troubleshooting Guide	15
Product Warranty Guide	17

Tools Required for Installation

- Ratchet, sockets, and spanner set
- Wire cutters / crimpers
- Electric drill and impact
- Drill bits and impact sockets
- Welding equipment (if welding leg or bracket in place)

Additional Items Required for Installation

- # 4 AWG power wire (to connect battery +12V positive to the pump) *
- # 4 AWG ground wire (to connect battery -12V ground to pump) *
- # 4 AWG ring terminals
- Loom clips/ Cable Ties (to secure harnesses and hydraulic hoses to the coach)
- Self-tapping screws or pop rivets
- Circuit breaker (see table below)
- Dexron II or III Automatic Transmission Fluid (see table below)**

Pump	Amps
7898 KS	100
7097 BRKS	100

Pump	Volume
7898 KS	5 - 7 Lt
7097 KS	8 - 10 Lt

*Note: These items must be # 2 AWG if cable run is greater than 4 meters

* It is most important that these cables meet 6.5 mm or cross-section of 33.6 mm² (Australian Standard).

** Fluid volume may vary depending on vehicle size and cylinders being installed.

Installing the Cylinders

Determine where the cylinders are to be mounted. The cylinders must be mounted to the chassis frame, as close as possible to the front and rear axles. We advise that to optimize departure clearance, mount the cylinders within 1 meter of each axle.

Secure the cylinder brackets in place according to the bracket mounting drawings.

2.2 DRILLS ON THE CHASSIS

Installation of auxiliary equipment onto the chassis must be done using the factory drilled holes whenever possible.



- **It is strictly forbidden to drill holes into the side member flaps, with exception to what is indicated in Chapter 3.3 - Paragraph "Choosing the type of connection".**

When new holes must be made for specific applications (installation of shelves, corner shelves, etc.), these must be drilled into the upright rib of the side member and must be thoroughly de-burred and bored.

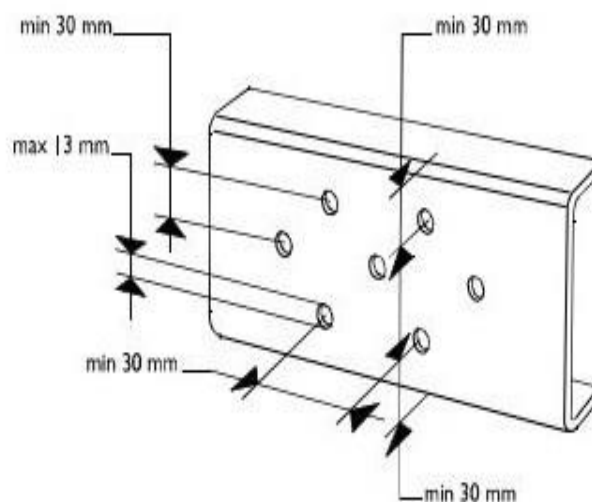
Hole position and size

The new holes must not be drilled into the areas subjected to greater stresses (such as spring supports) or where the side member section varies.

Hole diameter must be suited to sheet metal thickness but cannot exceed 13 mm (unless otherwise stated). The distance of the axis of the holes from the edge of the side member must not be less than 30 mm; in the same way, the axes of holes must not be less than 30 mm from each other or from other existing holes.

The holes must be offset as in Figure 2.

The original hole layout must be maintained when moving spring supports or crossbars.



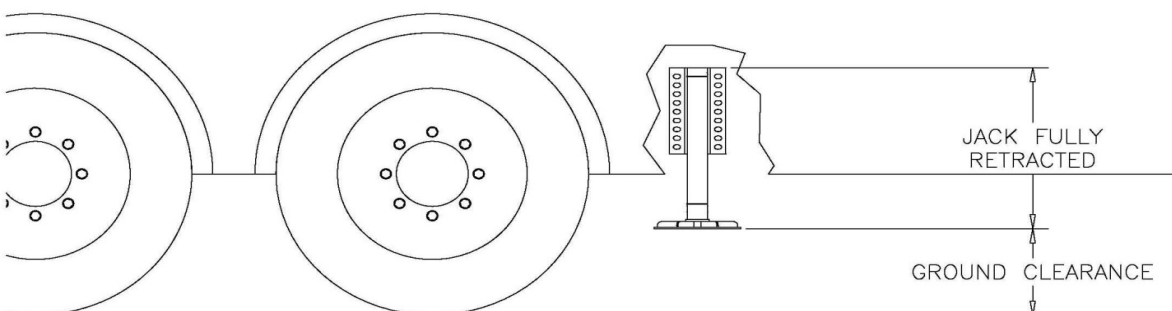
Bolt the cylinders to the chassis using the supplied bolts, washers and nuts, torque these to 77Nm (57lb-ft). The cylinders must be installed with a minimum of 200mm of ground clearance. See Installation chart below. The bottom of the footpad should be no lower than any other item mounted on the vehicle. On some extremely low vehicles there are provisions to mount lower than the recommended 200mm, as long as the foot does not impede the departure clearance angle. Pay attention to the angle of departure for the chassis when mounting the rear cylinders – and the angle of approach when mounting the front cylinders.

Table 1: Ground clearance reference chart for installing jacks by cylinder type

Standard cylinder		Telescopic cylinder		Flip foot size	
13"	180-230mm	320mm	180-230mm	6"	50-60mm
15"	200-250mm	600mm	Vehicle specific	10"	50-60mm
16"	220-280mm	1070mm			
18"	250-300mm				
24"	350-400mm				

Note: Lower value of reference range refers to clearance from the bottom of foot to the ground.

Figure 1. Ground clearance reference chart



Any concerns or queries can be directed to Redfoot Levelling (07) 5228 0211.

Installing the Pump

The pump must be mounted in a location that is reasonable to route all the hydraulic hoses to the manifold. It must be accessible for filling the reservoir and monitoring the fill level. Take note if the unit is equipped with the manual override option.

The pump emergency hex key slot, cartridge valves and directional valves (if installed) are to be accessible to manually override the system. If the pump is equipped with the manual override hex key slot on the end of the motor, then be sure to allow access to that end of the pump. (See figure below). In most applications, a side storage compartment will provide the ideal location. An additional mounting box or tray may be used on other motorhomes/buses.

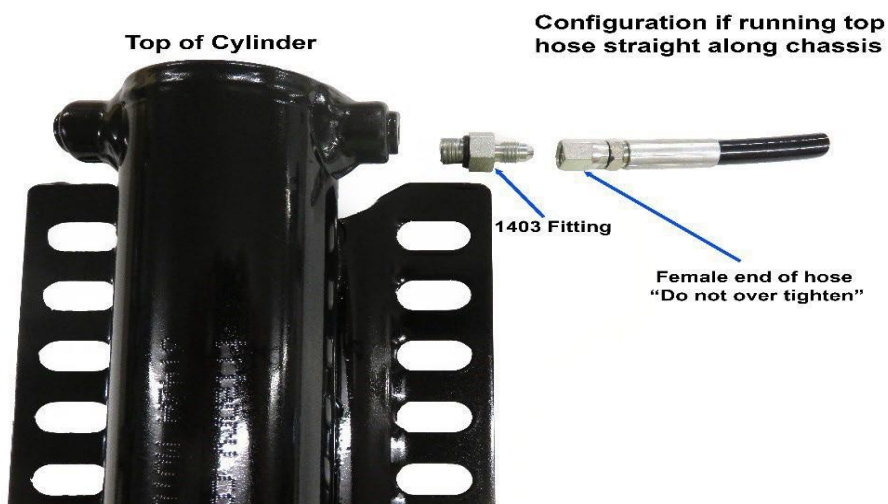
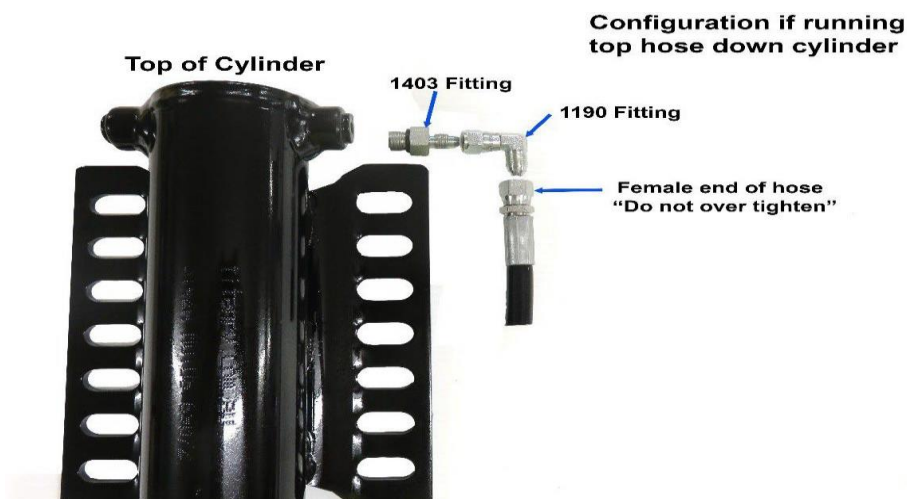


Installing the Fittings

Install the hydraulic adaptor fittings in the top and bottom of each jack and install the fittings into the manifold. The straight thread O-ring side always goes to the cylinder or manifold. The tapered side will get the hose attached to it.

When installing UNO fittings into the leg or manifold, tighten to 15 lbs.-ft, these are O-ring sealed do not use any sealants**. When using JIC fittings, turn until finger tight*, position correctly, then tighten the jam nut until slightly firm then another 30°. These are flared, do not use any sealants**.

*Over tightening can cause damage to the fitting. **Sealant is not required when using O-ring or 37° flare fittings.





Installing the feet

Before securing the feet to the cylinders, extend each cylinder by approximately 1", this will allow all bolt/nut threads to be exposed ensuring a tight fit will be achieved. When installing the feet make sure to use an impact gun with the correct sized socket. Using a wrench will cause the cylinder to spin and not allow the nyloc threads to secure on correctly. Redfoot recommends using a product like Loctite if there is not a nyloc insert. When the cylinder is in extend you will notice a small amount of movement in the foot however once the cylinder is then retracted there should be no movement.

Note: Flip feet do not need to be torqued as tight as you need to allow movement in the swing.

Installing the Hoses

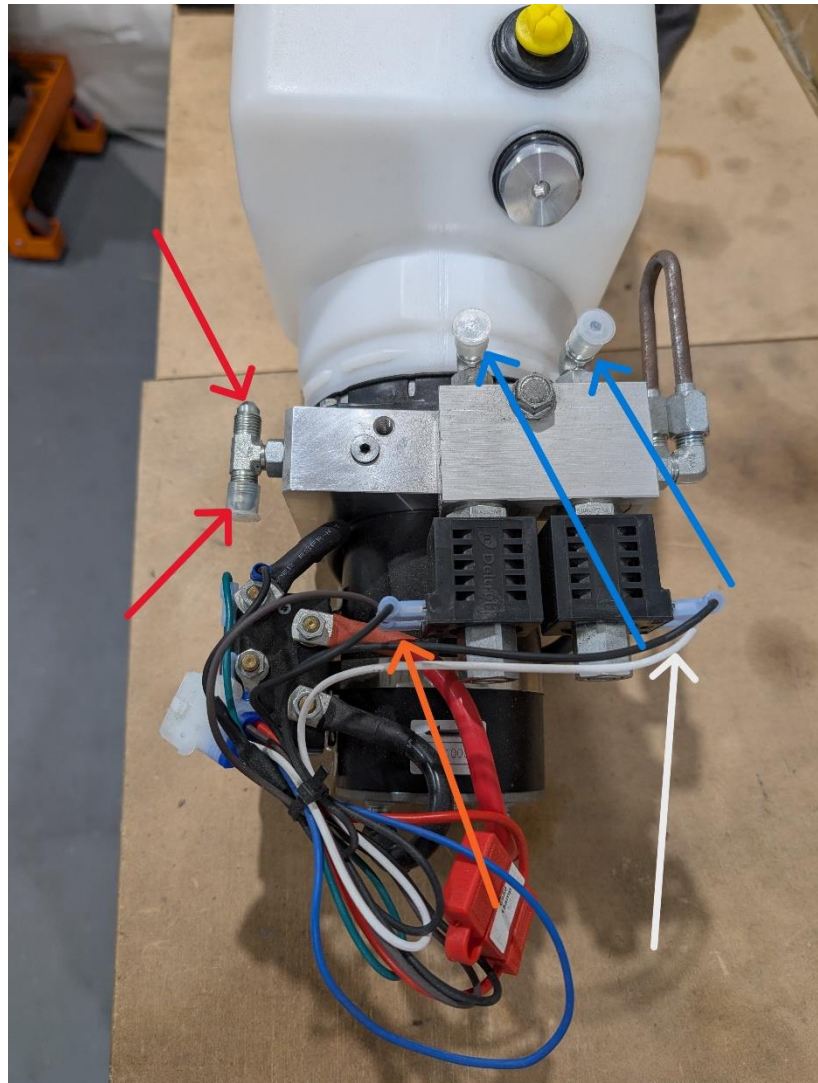
Install the hydraulic hoses so that they are clear of all hot exhaust components and pinch points in the suspension/chassis system. Attach the hoses to the pump manifold and cylinder fittings. Incorrect plumbing will cause operating problems at start-up.

Tighten the jam nut until slightly firm then another 30°. Secure the hydraulic hoses with cable ties or loom clamps to the chassis. Care should be taken to not kink or twist hoses. The minimum bend radius is 6 inches (150mm).

Blue arrows are pointing to the extend ports (top of cylinders).

Red arrows are pointing to the retract ports (bottom of cylinders).

The valve with brown wire is for left jack and white wire is for right jack



Controller to Pump Assembly

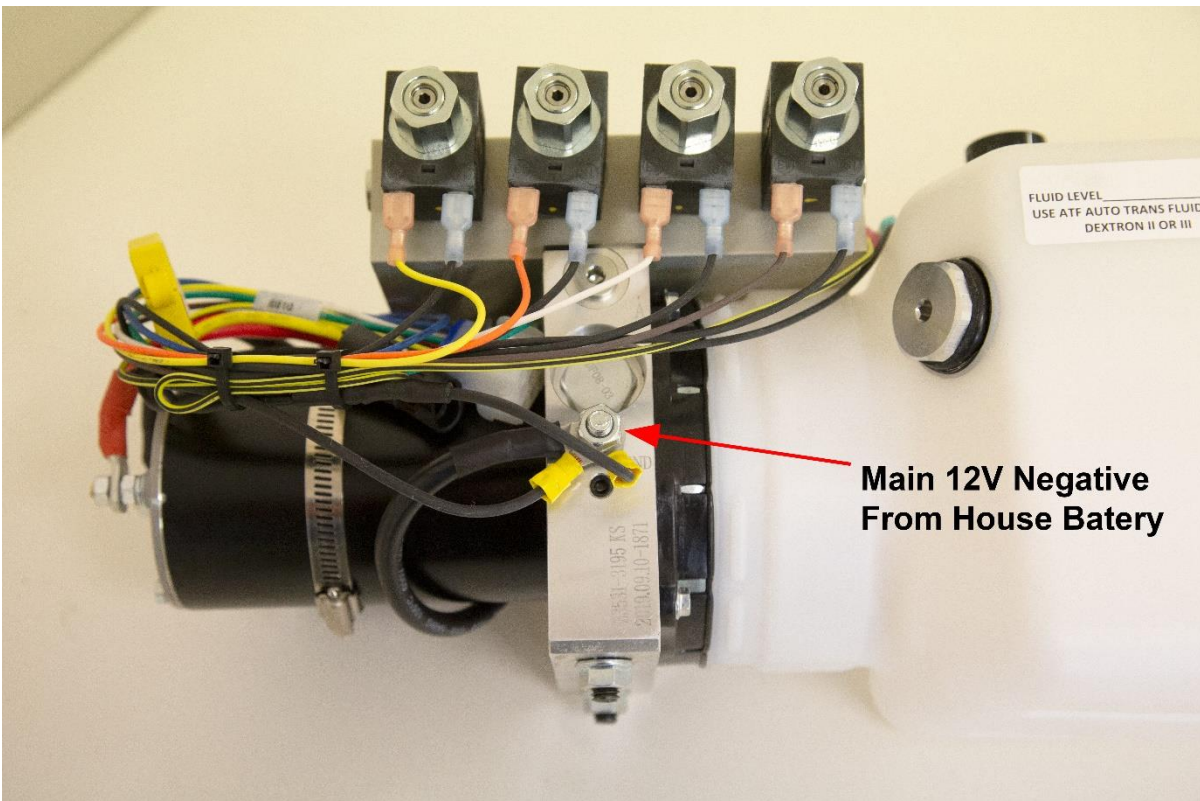
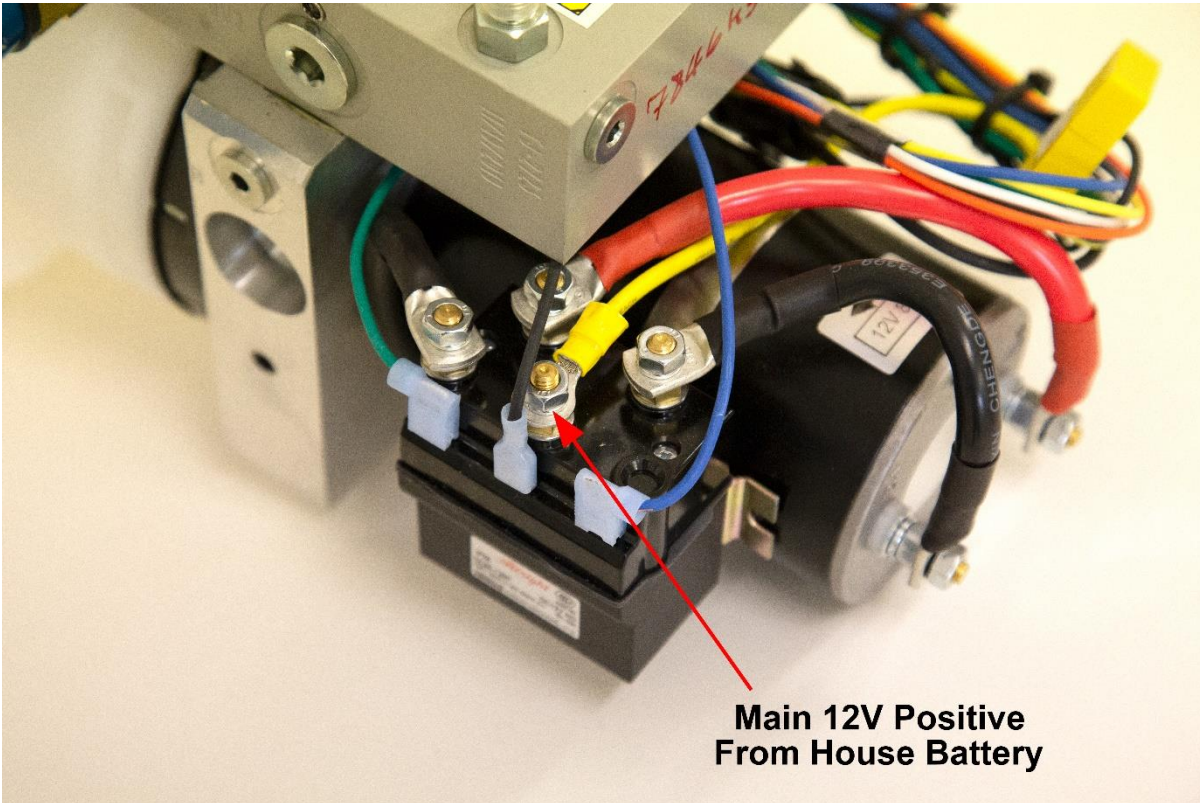
This harness has 1 connector to the pump assembly (4 pin).

The BlackJack will have its own harness.

Power Connections

Attach a # 4 AWG wire (# 2 AWG if the run is over 13 feet / 4 meters) between the +12V terminal on the battery and the battery post at the motor solenoid on the pump. The solenoid post will generally have a yellow fused wire attached to it that supplies power to the controller. This battery connection may be fused at the source with a circuit breaker/ fuse. This +12V supply must be a dedicated and isolated circuit (not shared with any other device) and must be constant, non-switched +12V.

Attach a # 4 AWG wire (# 2 AWG if the run is over 13 feet / 4 meters) between the -12V terminal on the battery and the ground stud on the pump. This ground stud is located on the port plate on the pump. This is the preferred method of grounding. If grounding the pump to the chassis, the connection must be sound, free of paint and not susceptible to corrosion. It is not acceptable to allow the pump mounting bolts to be the sole grounding connection.



Purging the Cylinders of Air

1. **Please note**, this procedure must be strictly followed. Any deviation from the process will cause the purging process to become difficult and time consuming.
2. Fill pump reservoir to full approx. 1 to 1 ½ inch from top with automatic transmission fluid, the multipurpose or any of the Dexron/Mercon fluids will work.
3. Using the manual switch for the front jacks extend the front jacks until they make ground contact. Do not lift the vehicle. If the vehicle is on a lift the jacks may be fully extended. **Note:** extend is the arrow pointing down.
4. Press retract switch. After the front jacks have fully retracted and the pump shuts off check the reservoir fluid. Refill to full approx. 1 to 1 ½ inch from top.
5. If the fluid in the reservoir is aerated or foamed up, allow time for foam/air to dissipate before continuing. Allow 10 minutes for foam and air to dissipate.
6. Using the manual switch for the rear jacks extend the rear jacks until they make ground contact. Do not lift the vehicle. If the vehicle is on a lift the jacks may be fully extended.
7. Press retract switch. After the rear jacks have fully retracted and the pump shuts off check the reservoir fluid. Refill to full approx. 1 to 1 ½ inch from top.
8. If the fluid in the reservoir is aerated or foamed up, allow time for foam/air to dissipate before continuing. Allow 10 minutes for foam and air to dissipate.
9. Using manual switches extend to full extension of front and rear jacks. At this point jacks may be allowed to lift the vehicle. Allow 10 minutes for foam and air to dissipate.
10. Press all retract switch. After the jacks have fully retracted and the pump shuts off check the reservoir fluid. Refill to full approx. 1 to 1 ½ inch from top. Allow 10 minutes for foam and air to dissipate.
11. Check fluid level. Fill to full 1 to 1 ½ inch from top.
12. Repeat steps 7 through 10.

Manual Override

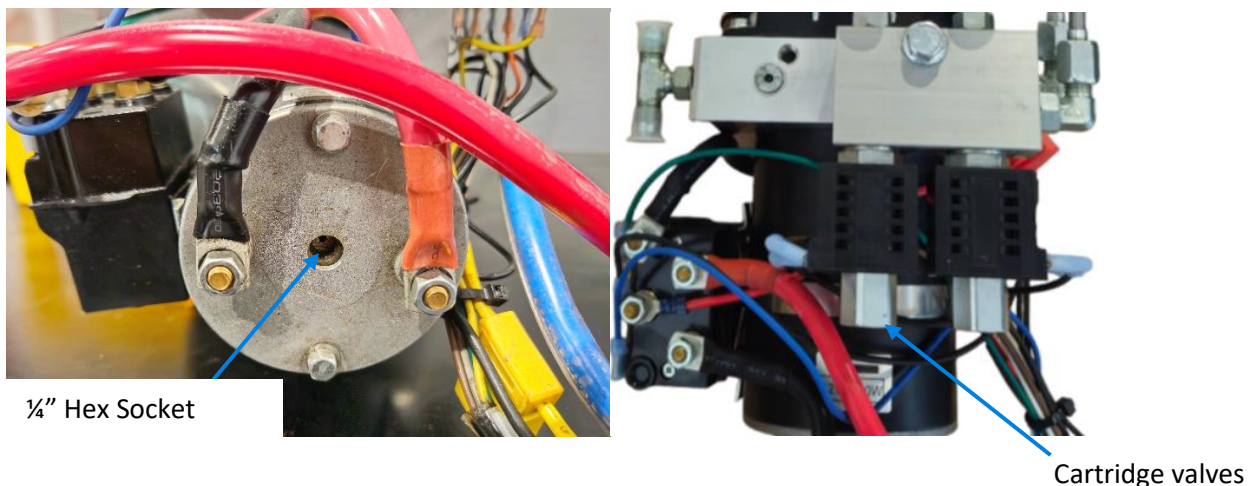
7898/7097 Pump

Refer to Figure 1. This pump is equipped with a manual override. Locate the 2 valves on the top of the manifold. Locate the screws recessed at the end of the appropriate cartridge valves. Using a 1/8th hex Key, turn the screw(s) clockwise until seated in.

Remove the silver sticker on the front of the motor to reveal a ¼" hex key fitting. Using the appropriately sized hex key socket and a drill capable of 2000 RPM (minimum).

To Retract: Run the drill in the counterclockwise direction. To Extend: Run the drill in the clockwise direction.

Figure 1. 7898/7097 Pump



Caution!

Following manual override operation, failure to return all the valves to normal position may result in one or more of the jacks drifting down from their retracted position. Ensure all screws recessed.

Troubleshooting Guide

Troubleshooting Guide		
Symptoms	Possible Cause	Solution
Controller turns on but jacks will not operate	Low battery voltage to pump	Charge batteries
	Faulty ground or 12VDC power	Trace and repair
	Defective keypad or controller	Call Redfoot Levelling
	Defective pump motor or solenoid	Replace motor and/or solenoid
	Other system defect	Call Redfoot Levelling
Jacks will extend but will not retract	Low battery voltage - min. 10.8	Charge batteries
	If bi-rotational pump, bad motor or solenoid	Replace motor and/or solenoid
	Defective keypad or controller	Call Redfoot Levelling
	Faulty ground or 12VDC power	Trace and repair
	System defect	Call Redfoot Levelling

Troubleshooting Guide

Symptoms	Possible Cause	Solution
Hydraulic pump inoperative	Low battery voltage - min. 10.5	Charge batteries
	Blown 20A fuse on pump harness	Replace fuse or breaker
	Faulty ground or 12VDC power	Trace/Repair or replace
	Defective pump motor or solenoid	Replace
Jack(s) bleed down from levelled or stowed position	Air in hydraulic system	Purge/bleed air
	External fluid leak	Trace and repair
	Defective valve in pump	Clean or replace valve
	Defective hydraulic jack/cylinder	Replace hydraulic cylinder
Jack(s) are jerky or noisy when extending or retracting	Air in hydraulic system	Purge/bleed air
	Fluid level low	Check fluid level and top up
	Damaged cylinder seal	Call Redfoot Levelling
Jack's will not retract from extended position	Low battery voltage - min. 10.5	Charge batteries
	Low battery voltage or poor ground	Change batteries/check ground return
	Damaged/Defective harness from controller to pump	Trace and repair
	Fluid level low	Correct fluid level and add
	Defective pump motor or solenoid	Replace

Product Warranty Guide

Redfoot Levelling Pty Ltd

1. Only warranty claims with prior written or verbal authorisation from Redfoot Levelling will be recognised, all other claims will be denied.
2. Redfoot Levelling warrants levelling system components for a period of **one year** from the date of original sale of the vehicle. This warranty covers defects in material and workmanship only. Redfoot Levelling is not liable for any damage due to abuse, neglect, misuse, negligence, misapplication, error of operation, accidental or purposeful damage or damage due to an “Act of God” such as, wind or rain damage, flood, lightning or other natural causes of the like. Redfoot Levelling limited warranty is applicable to the Redfoot Levelling components only and does not apply to the vehicle, apparatus, or property to which it is attached. Warranty parts will be shipped at no charge if the repair is authorised by Redfoot Levelling representative. Purchased components used in authorised warranty repairs will be reimbursed at the original purchase price. All returns must be preauthorised by a Redfoot Levelling representative. Connotes will be supplied for their return unless prior arrangements have been made. Installers must receive and accept the appropriate Scope of Works from Redfoot Levelling prior to the commencement of any work.
3. Labour and freight expenses due to warrantable parts defects or workmanship will be reimbursed for the period of **one year** from the date of the original sale of the vehicle. Freight expenses will either be prepaid by Redfoot Levelling or reimbursed at the road logistic rate only. Any additional shipping charges or requirements are the obligation of the vehicle owner or service centre performing the warranty repair. The owner or Service Centre’s obligation may include overseas shipping charges, border fees, and any other additional fee of the like.
4. Prior authorisation is required before parts may be returned to Redfoot Levelling. Redfoot Levelling will supply a connote for the return goods.
5. Labour, parts, and freight credit (if applicable) will be sent after the parts are tested and the warranty claim is validated. Returned parts that are found to be in normal operating condition are not warrantable and will be charged to the owner or service centre. Redfoot Levelling reserves the right to charge back the service centre for labour claim payments previously submitted if the installation of the warranted part is found to be inadequate later.
6. Warranty labour will be reimbursed only for claims that have prior written or verbal authorisation from a Redfoot Levelling representative. Time associated with learning about the repair or excessive diagnostic and installation time will not be reimbursed. Warranty labour will be reimbursed at the authorised service centre’s published shop

rate for that region. Overtime labour will not be reimbursed without exception.

7. Replacement parts are warranted under the same guidelines listed in this guideline for the remainder of the original warranty or 90 days, whichever is longer. Proof of warranty repair date and original vehicle purchase date are required. No additional warranties expressed or implied are authorised by Redfoot Levelling.
8. All warranty works are to be completed and invoiced within 3-months of the Scope of Works date of issue.
9. Parts that are required to be returned to Redfoot Levelling, must be returned upon job completion and prior to warranty invoicing. Parts not returned within this period will be billed to the installer. Claims will be denied if the date submitted is greater than **30 days** from the repair.
10. Complete systems are not warranted unless authorised by a Redfoot Levelling representative. There are absolutely no exceptions to this clause.
11. Consideration should be taken regarding the location and protection of Redfoot Levelling's components prior to installation. Please reference our installation manuals for recommended locations and maintenance or visit www.redfootlevelling.com.au for more information. The failure of any Redfoot Levelling components due to extreme environmental conditions, improper installation or lack of maintenance will not be covered under the warranty.
12. Warranty coverage for parts or systems sold by non-authorised resellers will be at the discretion of Redfoot Levelling.
13. This warranty begins upon the sale date of the vehicle and is transferable, with limitation, subsequent owners are to provide the original sale date of the vehicle and proof of purchase.
14. Redfoot Levelling is not liable for loss of time, manufacturing costs, labour, material, loss of profits, direct or indirect damages incurred by the vehicle manufacturer.
15. Excessive warranty labour resulting from inadequate access to the Redfoot Levelling product will not be reimbursed.
16. Redfoot Levelling will not pay mark-up on warranty parts unless required by law.
17. Travel expenses, hotel, telephone, fuel, or any other expense of the like are not covered under the warranty.

No additional warranties expressed or implied are authorised by Redfoot Levelling.

Redfoot Levelling Pty Ltd
Unit 1, 7 Abeles Street
BARINGA QLD 4551
Ph. +61 7 5228 0211
E.info@redfootlevelling.com.au

REDFOOT
LEVELLING