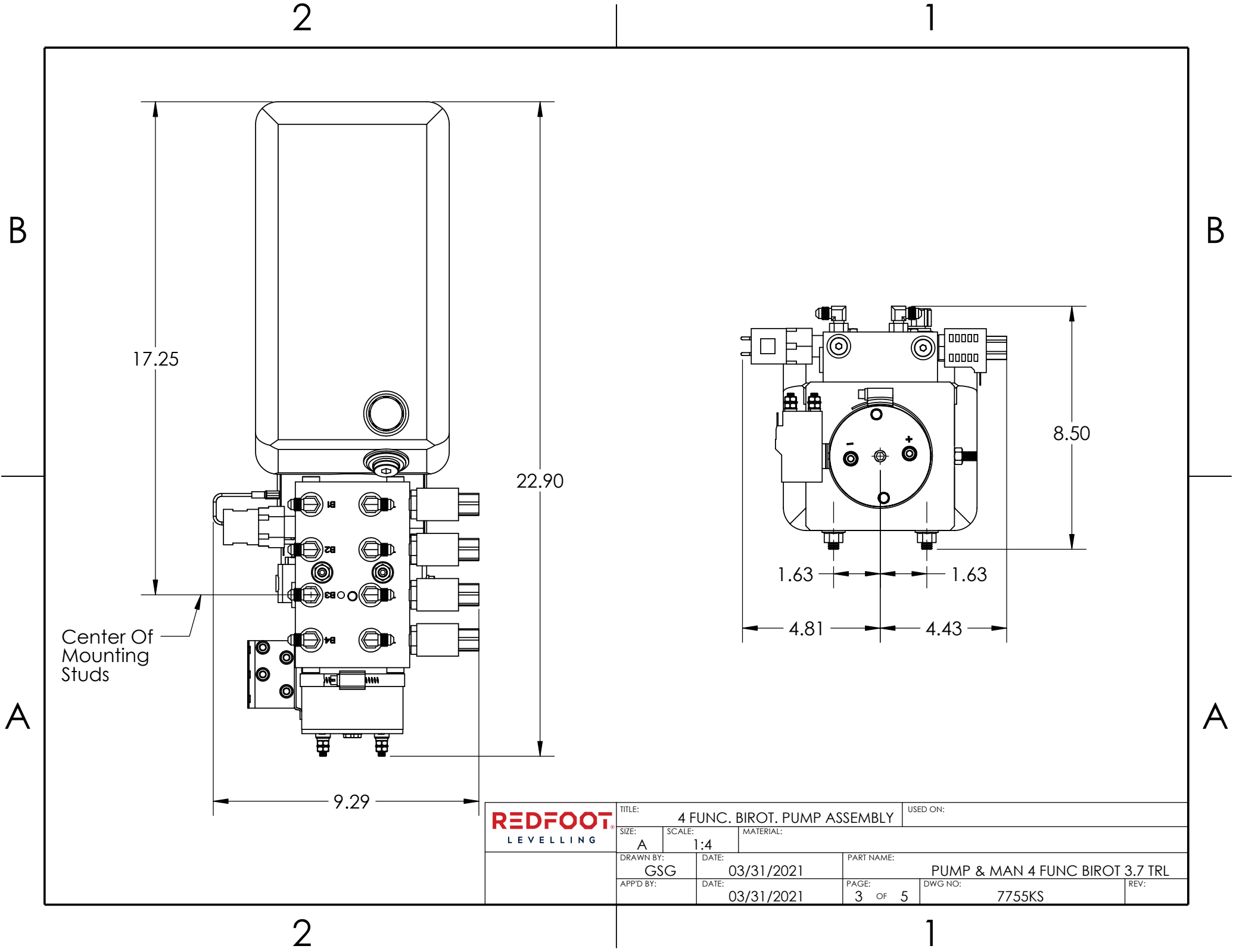


	TITLE: 4 FUNC. BIROT. PUMP ASSEMBLY		USED ON:	
	SIZE: A	SCALE: 1:3	MATERIAL:	
DRAWN BY: GSG	DATE: 03/31/2021	PART NAME: PUMP & MAN 4 FUNC BIROT 3.7 TRL		REV:
APP'D BY:	DATE: 03/31/2021	PAGE: 2 OF 5	DWG NO: 7755KS	



Center Of Mounting Studs

	TITLE: 4 FUNC. BIROT. PUMP ASSEMBLY		USED ON:	
	SIZE: A	SCALE: 1:4	MATERIAL:	
DRAWN BY: GSG	DATE: 03/31/2021	PART NAME: PUMP & MAN 4 FUNC BIROT 3.7 TRL		REV:
APP'D BY:	DATE: 03/31/2021	PAGE: 3 OF 5	DWG NO: 7755KS	

2

1

B

B

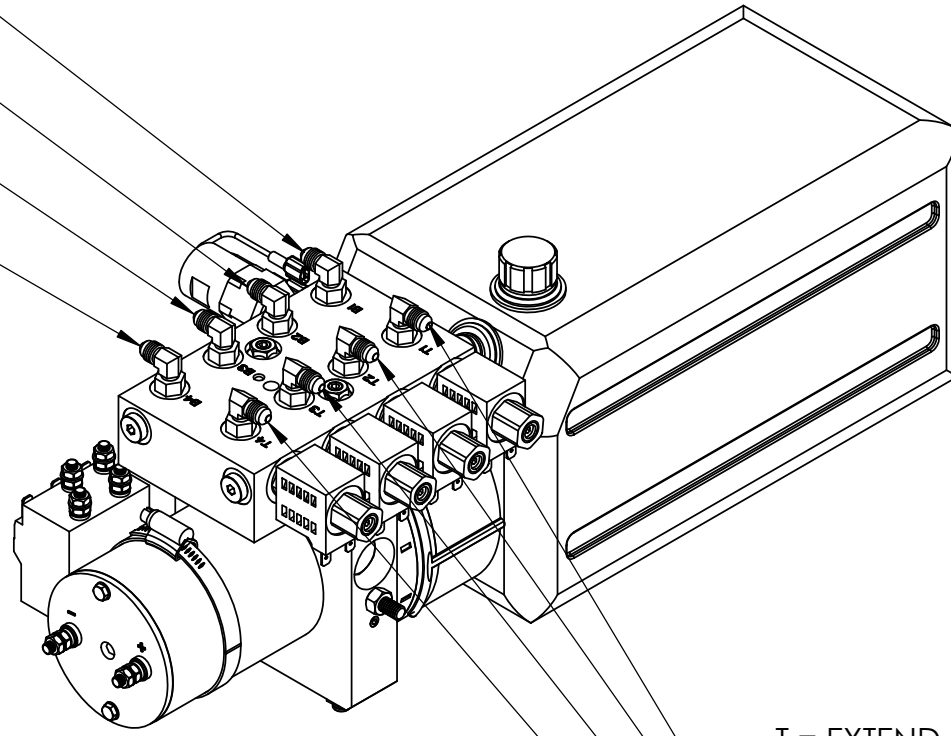
B = RETRACT FUNCTION

B1 = LEFT FRONT JACK
(BROWN/BLACK)

B2 = RIGHT FRONT JACK
(WHITE/BLACK)

B3 = LEFT REAR JACK
(ORANGE/BLACK)

B4 = RIGHT REAR JACK
(YELLOW/BLACK)



T = EXTEND FUNCTION

T1 = LEFT FRONT JACK (BROWN)

T2 = RIGHT FRONT JACK (WHITE)

T3 = LEFT REAR JACK (ORANGE)

T4 = RIGHT REAR JACK (YELLOW)

A

A

2

1

REDFOOT LEVELLING	TITLE: 4 FUNC. BIROT. PUMP ASSEMBLY		USED ON:	
	SIZE: A	SCALE: 1:4	MATERIAL:	
DRAWN BY: GSG	DATE: 03/31/2021	PART NAME: PUMP & MAN 4 FUNC BIROT 3.7 TRL		
APP'D BY:	DATE: 03/31/2021	PAGE: 4 OF 5	DWG NO: 7755KS	REV:

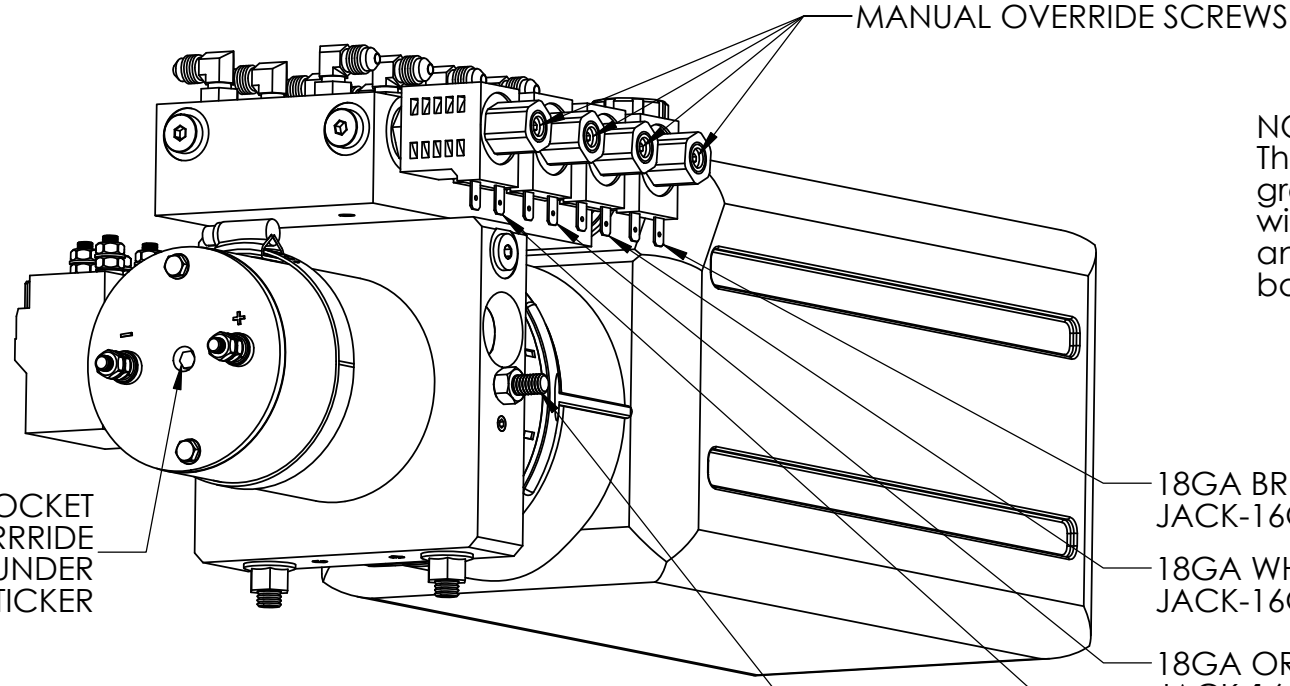
2

1

7755KS PUMP WIRING

B

B



NOTE:
The pump harness has a grey/black, and red/black wire that are not used and should be tied back out of the way.

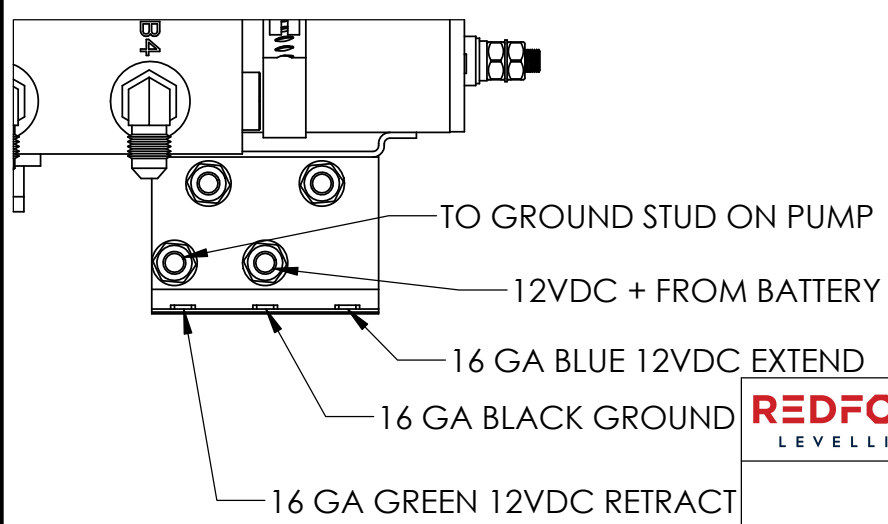
1/4" ALLEN SOCKET
MANUAL OVERRRIDE
LOCATED UNDER
STICKER

- 18GA BROWN 12VDC LEFT FRONT JACK-16GA BLACK GROUND
- 18GA WHITE 12VDC RIGHT FRONT JACK-16GA BLACK GROUND
- 18GA ORANGE 12VDC LEFT REAR JACK-16GA BLACK GROUND
- 18GA YELLOW 12VDC RIGHT REAR JACK-16GA BLACK GROUND

GROUND STUD FOR PUMP ASSEMBLY

A

A



REDFOOT LEVELLING		TITLE: 4 FUNC. BIROT. PUMP ASSEMBLY		USED ON:
SIZE: A	SCALE: 1:3	MATERIAL:		
DRAWN BY: GSG	DATE: 03/31/2021	PART NAME: PUMP & MAN 4 FUNC BIROT 3.7 TRL		
APP'D BY:	DATE: 03/31/2021	PAGE: 5 OF 5	DWG NO: 7755KS	REV:

2

1