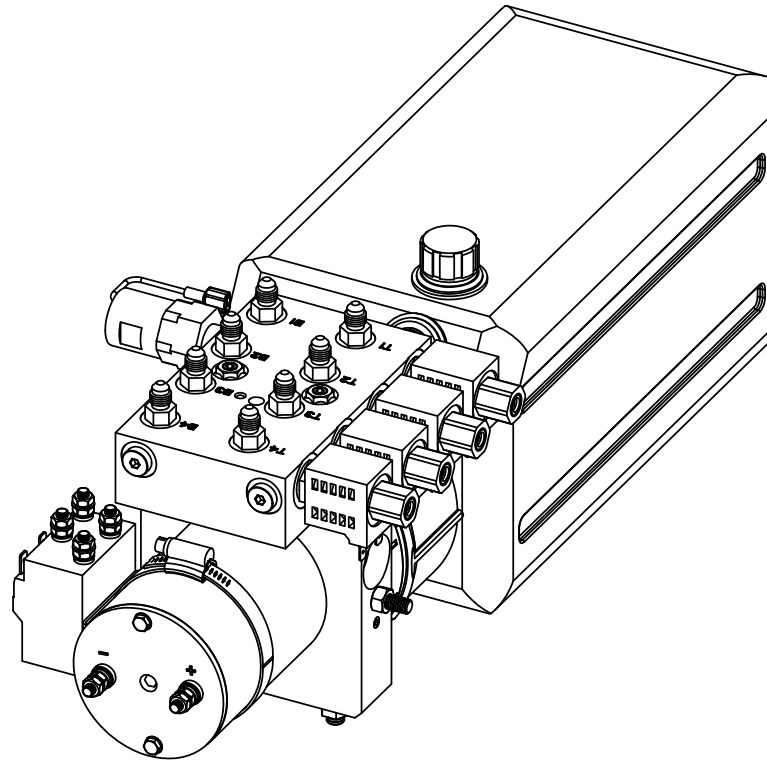


2

1

DRAWING NUMBER	PART NAME	QTY.
1122	FITTING- #4 OR MALE X #4 JIC	8
1187	SCREW-3/8-16 X 1 1/4 CUP PT SSS	2
1278	NUT-3/8 FLANGE	2
1900DD	NUT-5/16"-18 FLANGE LOCK	2
1988	SCREW-5/16-18 X 2 3/4 SSS CUP POINT	2
2042	NUT-5/16-18 HEX ZINC	1
2047	SWITCH-PRESSURE SWITCH 1200 PSI	1
2128	PLUG-#4 SOCKET HEAD ORING	4
2417	PLUG-#8 SOCKET HEAD O-RING	1
2542KS	PUMP-BIROTATE 8 QT.-KS	1
2723	MANIFOLD-BIROT 4 FUNC COMPACT	1
3073	VALVE-DELTROL	4
3074	COIL-DELTROL	4
3330	CAP-FILL-3195KS-3200KS-3201KS	1
6572C	HARNESS-10" POWER & GROUND FEED CONTACTOR	1
6649BR	HARNESS, 5 FUNC PUMP GROUND LEAD BIROT	1
6910	HARNESS, 4 FUNC BIROT 3IN/ CONTACTOR	1



B

B

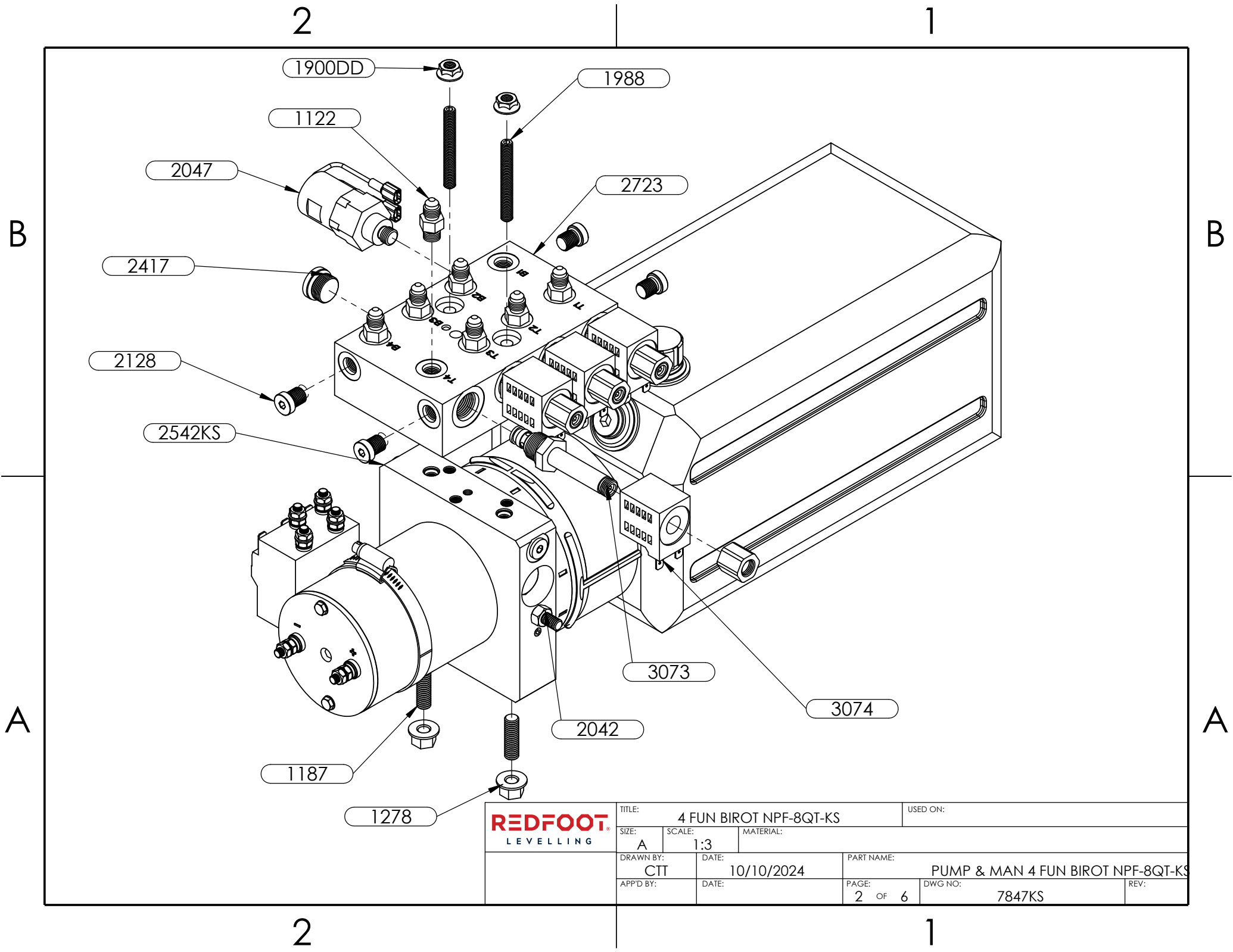
A

A

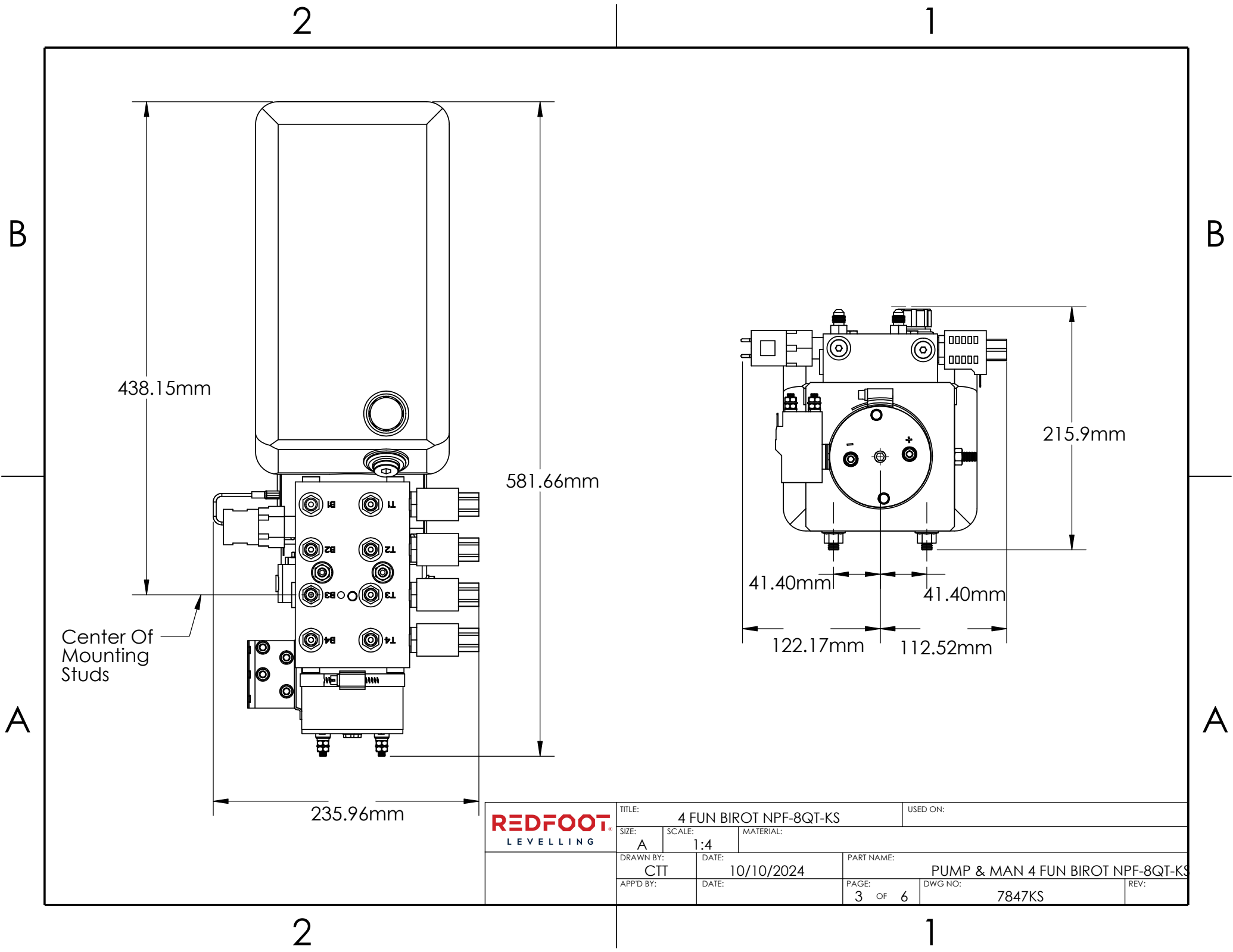
REV.	REVISIONS	DATE:	BY:		TITLE:	4 FUN BIROT NPF-8QT-KS	USED ON:		
					SIZE:	A	SCALE:	1:4	MATERIAL:
				DRAWN BY:	CTT	DATE:	10/10/2024	PART NAME:	PUMP & MAN 4 FUN BIROT NPF-8QT-KS
				APP'D BY:		DATE:		PAGE:	1 OF 6
								DWG NO:	7847KS
								REV:	

2

1



	TITLE: 4 FUN BIROT NPF-8QT-KS		USED ON:
	SIZE: A	SCALE: 1:3	MATERIAL:
DRAWN BY: CTT	DATE: 10/10/2024	PART NAME: PUMP & MAN 4 FUN BIROT NPF-8QT-KS	
APP'D BY:	DATE:	PAGE: 2 OF 6	DWG NO: 7847KS
			REV:



438.15mm

581.66mm

Center Of Mounting Studs

235.96mm

215.9mm

41.40mm

41.40mm

122.17mm

112.52mm

<b>REDFOOT</b> LEVELLING	TITLE: 4 FUN BIROT NPF-8QT-KS		USED ON:		
	SIZE: A	SCALE: 1:4	MATERIAL:		
	DRAWN BY: CTT	DATE: 10/10/2024	PART NAME: PUMP & MAN 4 FUN BIROT NPF-8QT-KS		
	APP'D BY:	DATE:	PAGE: 3 OF 6	DWG NO: 7847KS	REV:

2

1

B

B

A

A

2

1

B

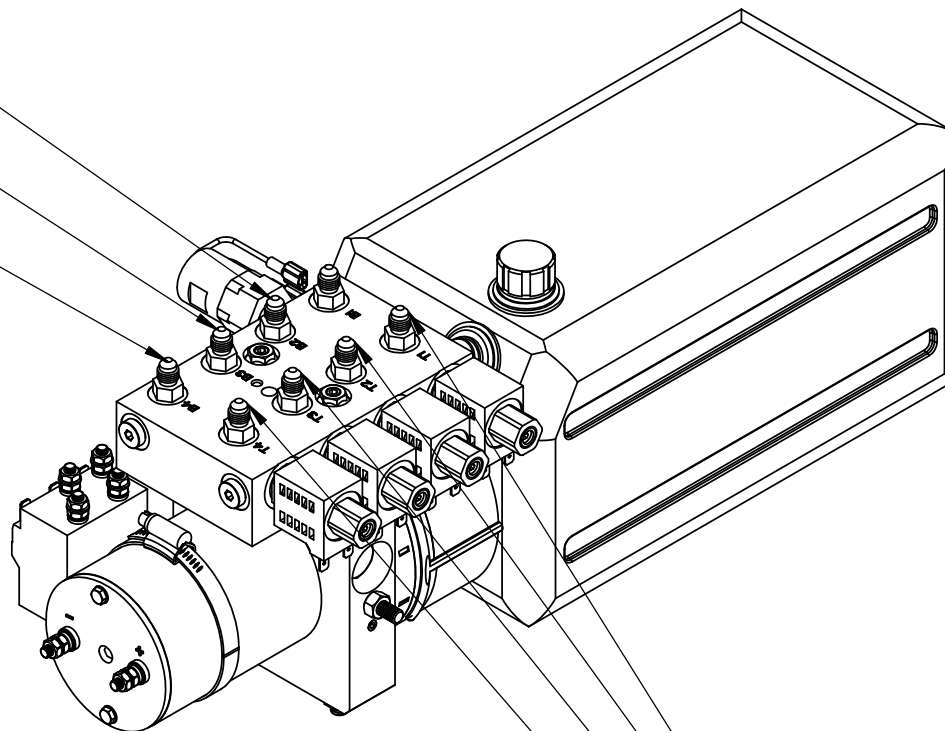
B

B = RETRACT FUNCTION

B2 = RIGHT FRONT JACK  
(WHITE/BLACK)

B3 = LEFT REAR JACK  
(ORANGE/BLACK)

B4 = RIGHT REAR JACK  
(YELLOW/BLACK)



T = EXTEND FUNCTION

T1 = LEFT FRONT JACK (BROWN)

T2 = RIGHT FRONT JACK (WHITE)

T3 = LEFT REAR JACK (ORANGE)

T4 = RIGHT REAR JACK (YELLOW)

A

A

<b>REDFOOT</b> LEVELLING	TITLE: 4 FUN BIROT NPF-8QT-KS		USED ON:	
	SIZE: A	SCALE: 1:4	MATERIAL:	
DRAWN BY: CTT	DATE: 10/10/2024	PART NAME: PUMP & MAN 4 FUN BIROT NPF-8QT-KS		REV:
APP'D BY:	DATE:	PAGE: 4 OF 6	DWG NO: 7847KS	

2

1

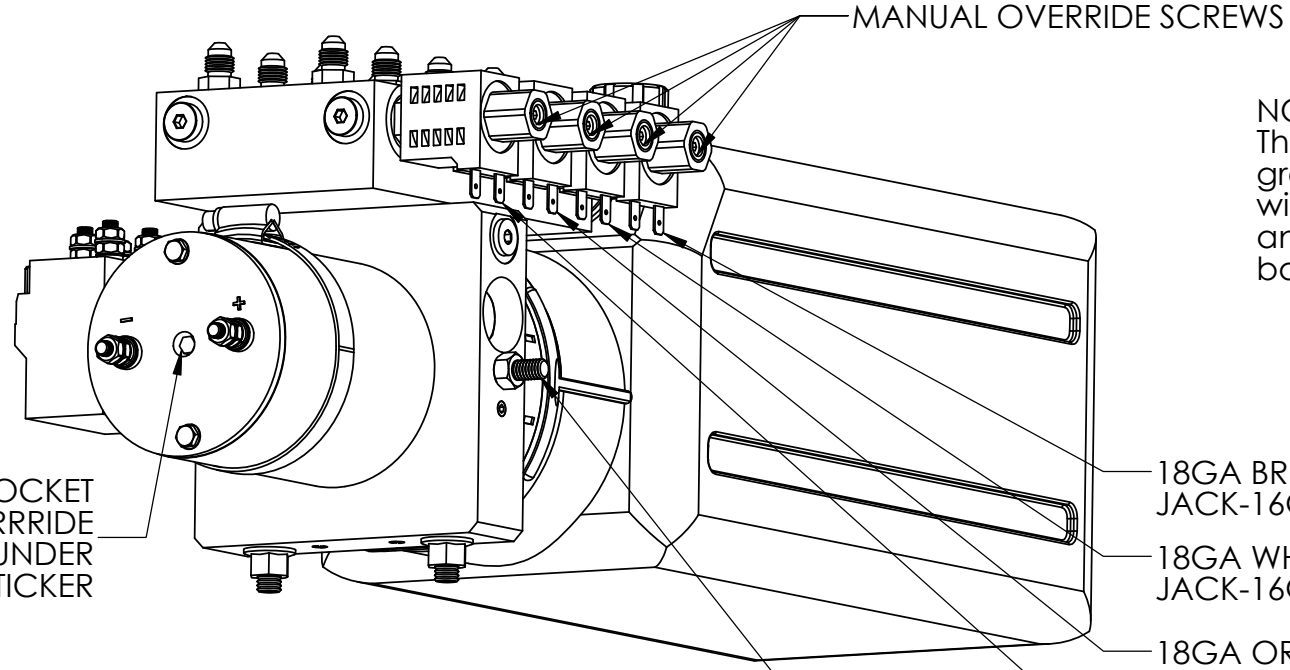
2

1

# 7847KS PUMP WIRING

B

B



NOTE:  
The pump harness has a grey/black, and red/black wire that are not used and should be tied back out of the way.

1/4" ALLEN SOCKET  
MANUAL OVERRIDE  
LOCATED UNDER  
STICKER

18GA BROWN 12VDC LEFT FRONT  
JACK-16GA BLACK GROUND

18GA WHITE 12VDC RIGHT FRONT  
JACK-16GA BLACK GROUND

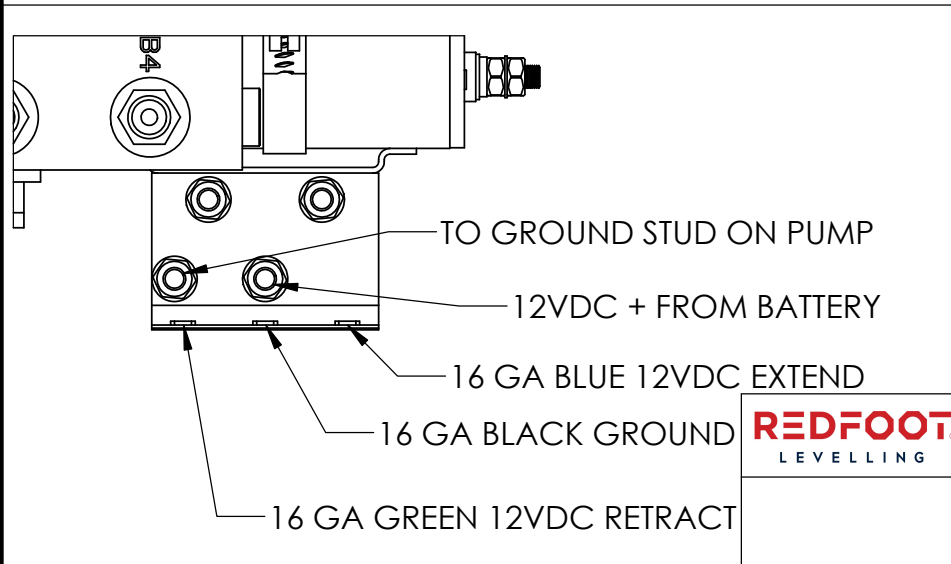
18GA ORANGE 12VDC LEFT REAR  
JACK-16GA BLACK GROUND

18GA YELLOW 12VDC RIGHT REAR  
JACK-16GA BLACK GROUND

GROUND STUD FOR PUMP ASSEMBLY

A

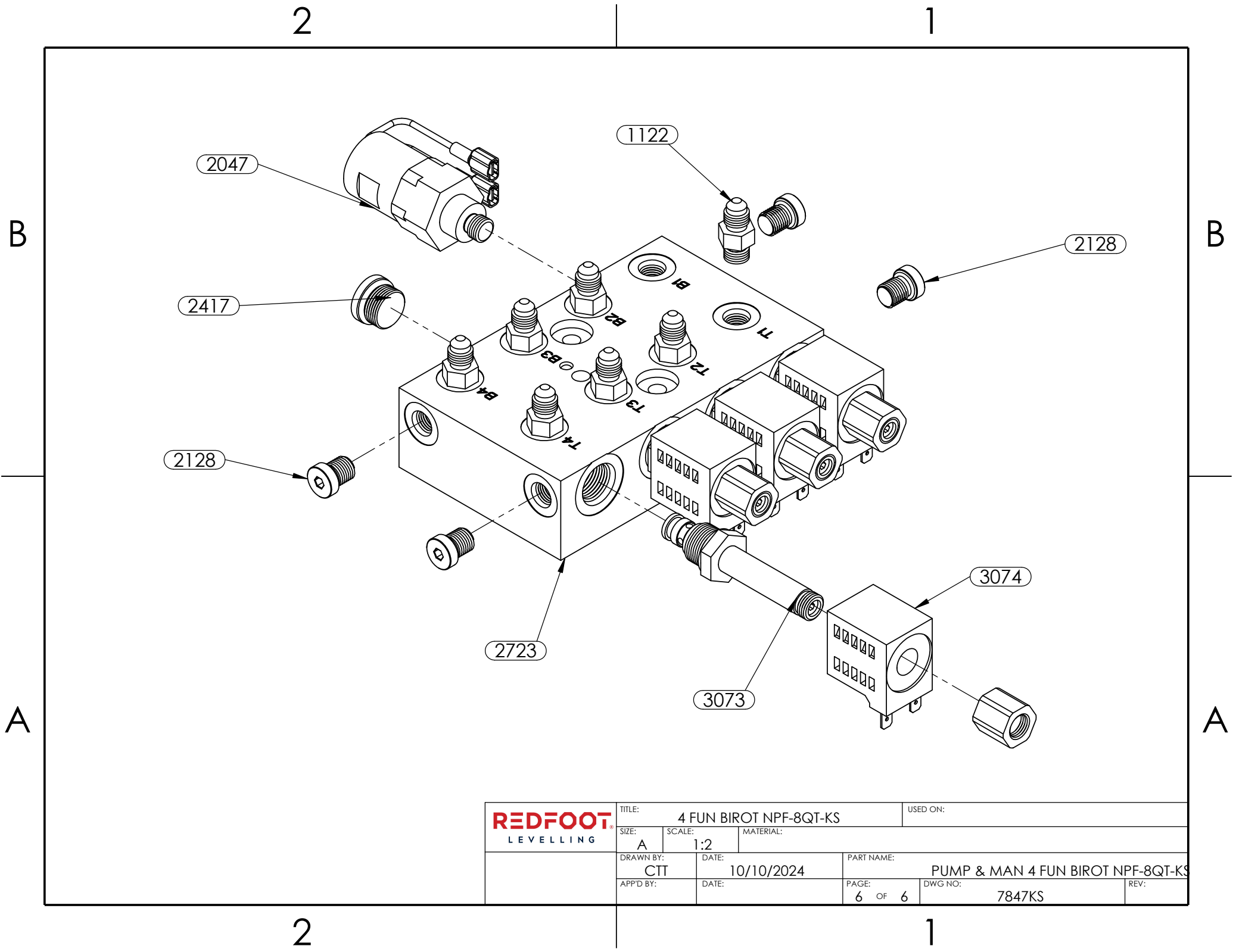
A



TITLE: 4 FUN BIROT NPF-8QT-KS		USED ON:	
SIZE: A	SCALE: 1:3	MATERIAL:	
DRAWN BY: CTT	DATE: 10/10/2024	PART NAME: PUMP & MAN 4 FUN BIROT NPF-8QT-KS	
APP'D BY:	DATE:	PAGE: 5 OF 6	DWG NO: 7847KS
		REV:	

2

1



<b>REDFOOT</b> LEVELLING	TITLE: 4 FUN BIROT NPF-8QT-KS		USED ON:
	SIZE: A	SCALE: 1:2	MATERIAL:
DRAWN BY: CTT	DATE: 10/10/2024	PART NAME: PUMP & MAN 4 FUN BIROT NPF-8QT-KS	
APP'D BY:	DATE:	PAGE: 6 OF 6	DWG NO: 7847KS REV: