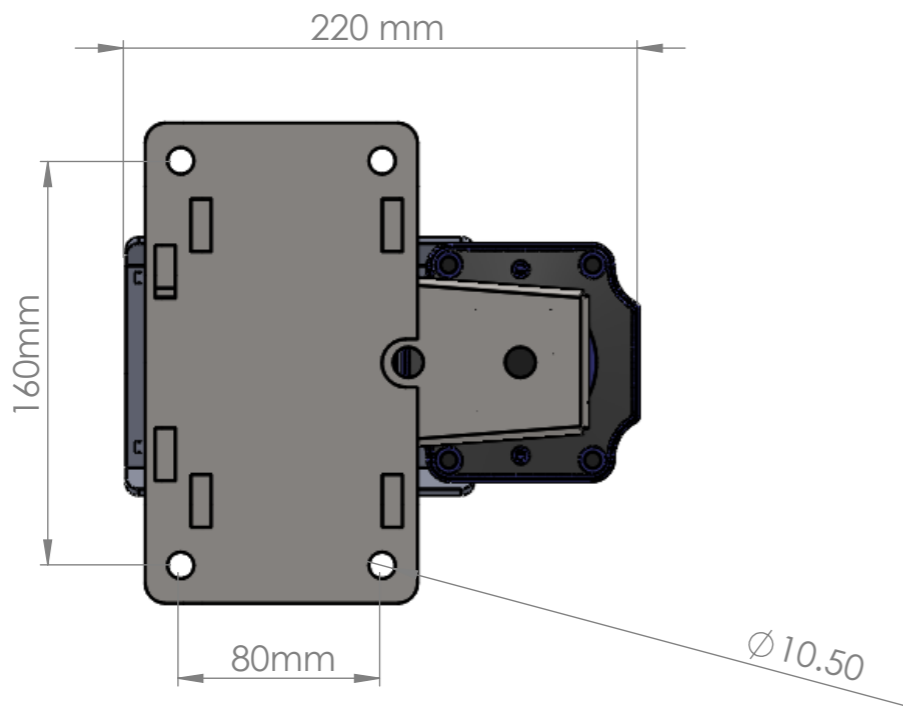
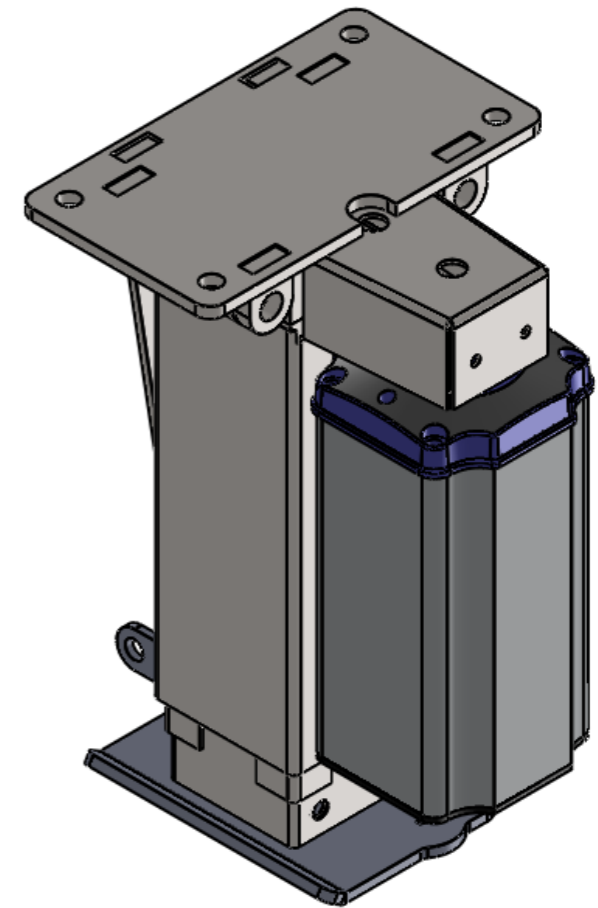
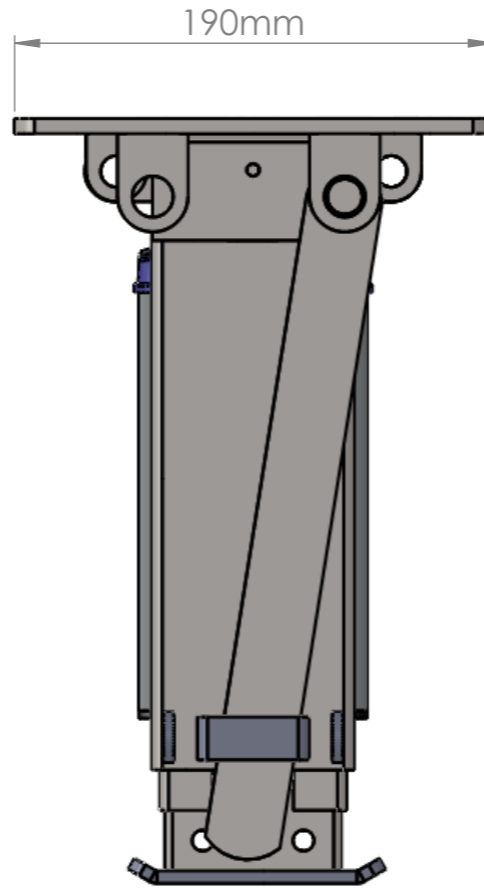
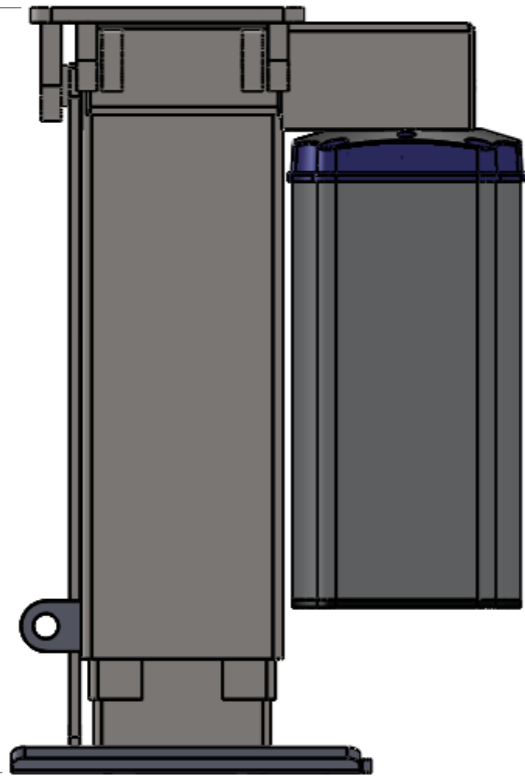


300 mm + 120 mm Max Including Spacers



Jack Measurements

Retract = 300mm

Extend Max = 435mm

Stroke = 135mm

Including Max Spacers = 120mm

**Optimum Deployed
Ground Clearance** = 30-40mm

REDFOOT
LEVELLING

AutoLift Standard
Jack Legs Deployed