

# REDFOOT

## LEVELLING

# *Mercedes Sprinter Cab Chassis Bracket Installation*

Part Number MERSPT -SL

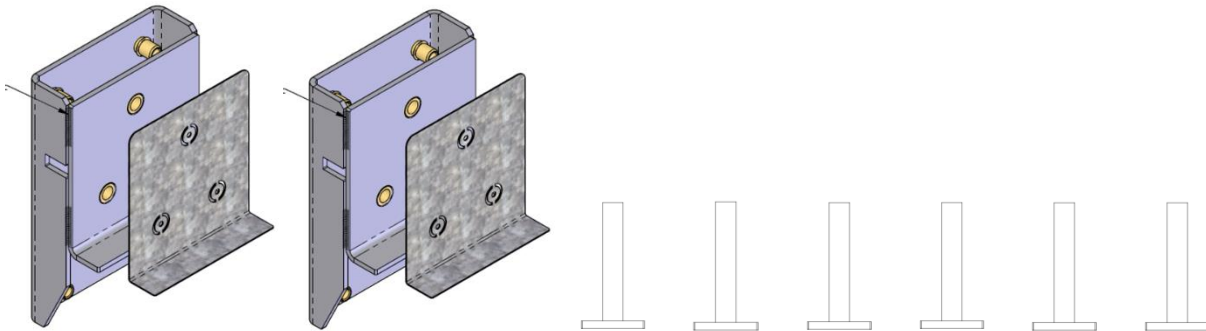


**Bracket kit assembly includes:**

**1x BRSF-050– PAIR of Front mounting brackets**

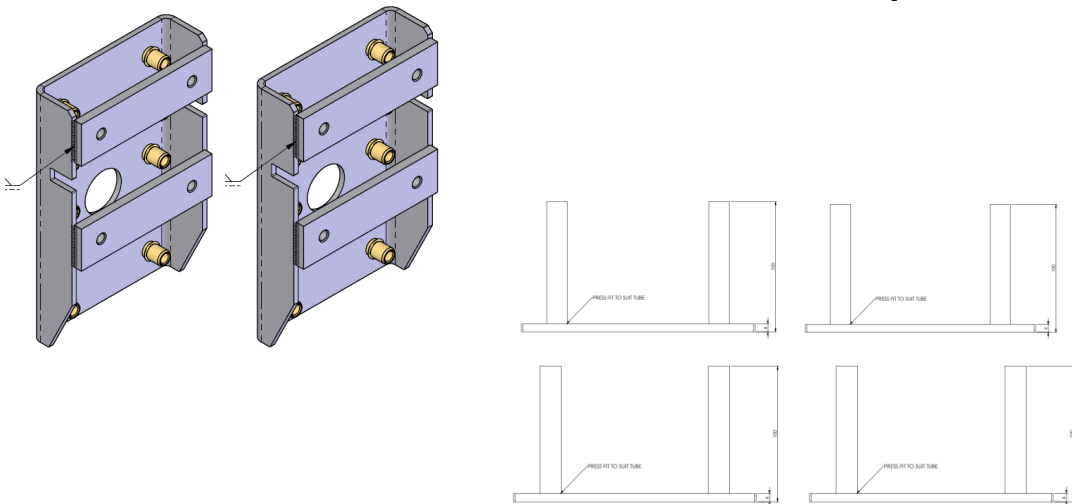
**6x BRSF-CTS - PAIR 16mm Crusher tubes single plates**

**1x Template angle with 3x holes**



**1x BRSF-051– PAIR of Rear mounting brackets**

**2x BRSR-052- PAIR 16mm Crusher tube dual plates**

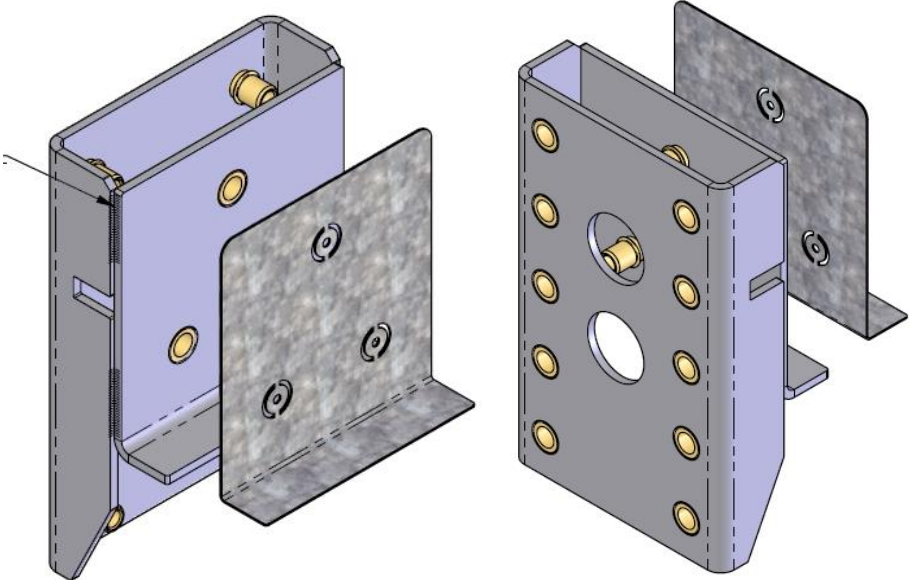


**40 x ½” Bolts for mounting cylinders**

**14 x ½” 115mm Bolts for mounting brackets**

**\*You will require the use of ¾” Socket and ¾” Spanner**

# REDFOOT Front Passenger side location



- The front passenger side bracket location is outside the chassis rail under the passenger seat and adjacent the vehicles battery box which is mounted inside the chassis rail.
- Firstly, remove the start battery and battery box. This will allow clearance and access to measure and drill through the chassis.
- With you bracket kit you would have received a guilder template with 3 holes, use the guide angle on the bottom of the template to slide underneath the chassis rail. Once in position mark with a paint pen the 3 holed for drilling both inside and outside the chassis.
- IMPORTANT!! You will need to drill 3x 13mm holes for outside the chassis and 3x 16mm holes for inside the chassis for the insertion of the single crusher tubes provided.
- Using a 13mm drill bit, drill the 3 holes as required on the 'outside' chassis.
- Using a 16mm drill bit, drill the 3 hole as required on the 'inside' chassis.
- Insert the 3 single crusher tubes 'inside' of the chassis rail holes.
- Hold the mounting bracket to the outside of the chassis and align holes using the guide rail to the underside of chassis. Insert the ½" '115mm' long Bolts provided into the crusher tubes and tighten into the back of bracket nutserts. Tighten using a ¾" Socket or ¾" Spanner.





- Once you have the bracket mounted onto the chassis you can now affix the 13" cylinder provided in the kit using a minimum of 6 bolts.
- Move the cylinder up and down the bracket until you find the ideal height. (200mm from under foot or bottom of hydraulic cylinder to ground is ideal)
- Once you have achieved this, use the bolts, and tighten using  $\frac{3}{4}$ " Socket or  $\frac{3}{4}$ " Spanner.
- Ensure you spread each bolt as circled and try and pick up the lowest hole on the bracket as possible.

## REDFOOT Front Driver side location



- The front driver side location is directly adjacent the passenger side and also mounted outside the chassis rail, under the driver seat.
- Firstly you will need to remove and relocate the spare tyre cavity storage compartment found in the step well as shown.
- With you bracket kit you would have received a guider template with 3 holes, use the guide angle on the bottom of the template to slide underneath the chassis rail. Once in position mark with a paint pen the 3 holes for drilling both inside and outside the chassis.
- **IMPORTANT!!** You will need to drill 3x 13mm holes for outside the chassis and 3x 16mm holes for inside the chassis for the insertion of the single crusher tubes provided.
- Using a 13mm drill bit, drill the 3 holes as required on the 'outside' chassis.
- Using a 16mm drill bit, drill the 3 holes as required on the 'inside' chassis.
- Insert the 3 single crusher tubes 'inside' of the chassis rail holes.
- Hold the mounting bracket to the outside of the chassis and align holes using the guide rail to the underside of chassis. Insert the ½" '115mm' long Bolts provided into the crusher tubes and tighten into the back of bracket nutserts. Tighten using a ¾" Socket or ¾" Spanner.



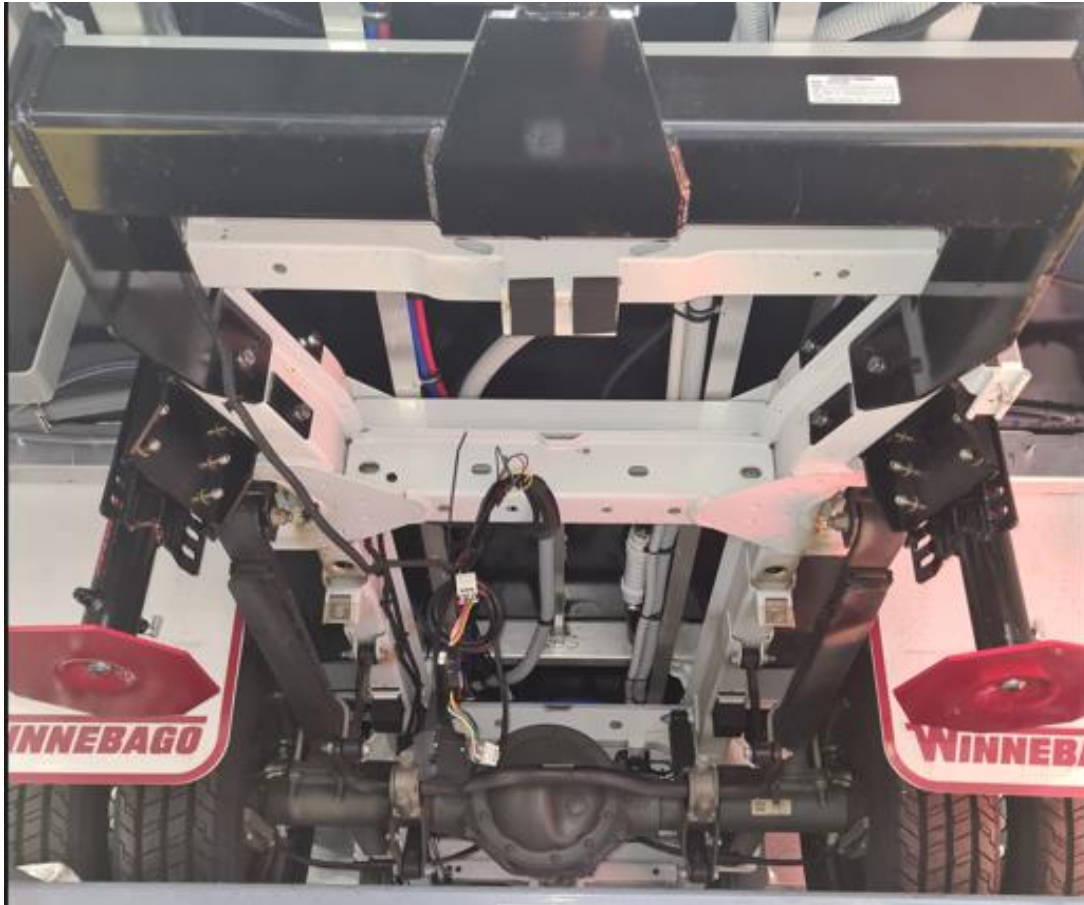
- Once you have the bracket mounted onto the chassis you can now affix the 13" cylinder provided in the kit using a minimum of 6 bolts.
- Move the cylinder up and down the bracket until you find the ideal height. (200mm from under foot or bottom of hydraulic cylinder to ground is ideal)
- Once you have achieved this, use the bolts, and tighten using  $\frac{3}{4}$ " Socket or  $\frac{3}{4}$ " Spanner.
- Ensure you spread each bolt as circled and try and pick up the lowest hole on the bracket as possible.



## REDFOOT Rear bracket locations



- The ideal location for the rear left and right brackets is directly behind the spring hanger, outside chassis rail as shown. In some instances the exhaust may impede this location and will need to be moved or modified.
- The rear brackets will have a space on the bracket to clear the seam weld mid-way down each chassis rail. Use this a space as a guide to position the correct height required both inside and outside the chassis. With a paint pen mark the four holes required.
- **IMPORTANT!!** You will need to drill 4x 13mm holes for outside the chassis and 4x 16mm holes for inside the chassis for the insertion of the dual crusher tubes provided.
- Using a 13mm drill bit, drill the 4 holes as required on the 'outside' chassis.
- Using a 16mm drill bit, drill the 4 hole as required on the 'inside' chassis.
- Insert the dual crusher tubes 'inside' of the chassis rail holes.
- Hold the mounting bracket to the outside of the chassis and align holes using the guide rail to the underside of chassis. Insert the ½" '115mm' long Bolts provided into the crusher tubes and tighten into the back of bracket nutserts. Tighten using a ¾" Socket or ¾" Spanner.



- Once you have the bracket mounted onto the chassis you can now affix the 15" cylinder provided in the kit using a minimum of 6 bolts.
- Move the cylinder up and down the bracket until you find the ideal height. (230-250mm from under foot or bottom of hydraulic cylinder to ground is ideal)
- Once you have achieved this, use the bolts, and tighten using  $\frac{3}{4}$ " Socket or  $\frac{3}{4}$ " Spanner.
- Ensure you spread each bolt as circled and try and pick up the lowest hole on the bracket as possible.

# REDFOOT Keypad Recommendation



- The ideal location for the keypad is near the entrance inside the vehicle. For ease of use, mount the keypad on the side as you enter the motorhome so when you are facing the keypad you are facing forward in the vehicle. (Like you are driving the vehicle)
- This position will allow you to operate from either inside or outside the vehicle. Allow enough space behind the keypad panel to give good access to harness connection plugs.
- You will require a Cutting Router to cut a hole in the wall and Power Drill to screw and affix the keypad to the wall.

# REDFOOT Pump/Manifold Locations



- The ideal location for the Pump/Manifold can be inside E.g Storage compartment or outside the vehicle as shown. The important thing is to have ease of access in the case of a 'manual override' to retract all cylinders. This can only happen if you lose all power to the system and you need to move on from your site.
- There are two access points you need in a manual override situation; access to front of motor and access to the four valves on the side of pump. See the picture directly above with the arrows pointing to these. For more information on this process read the manual override section in your user manual.
- If you decide to install the Pump/Manifold to the underneath of the vehicle please ensure you install a protection cover to prevent objects hitting the unit or reservoir, potentially damaging the system.

# REDFOOT Operational



- For further information contact:  
Redfoot Levelling  
Unit 5 Euro Business Park  
26-34 Weippin Street Cleveland QLD 4163  
Ph 07 3286 1199  
[www.redfootlevelling.com.au](http://www.redfootlevelling.com.au)