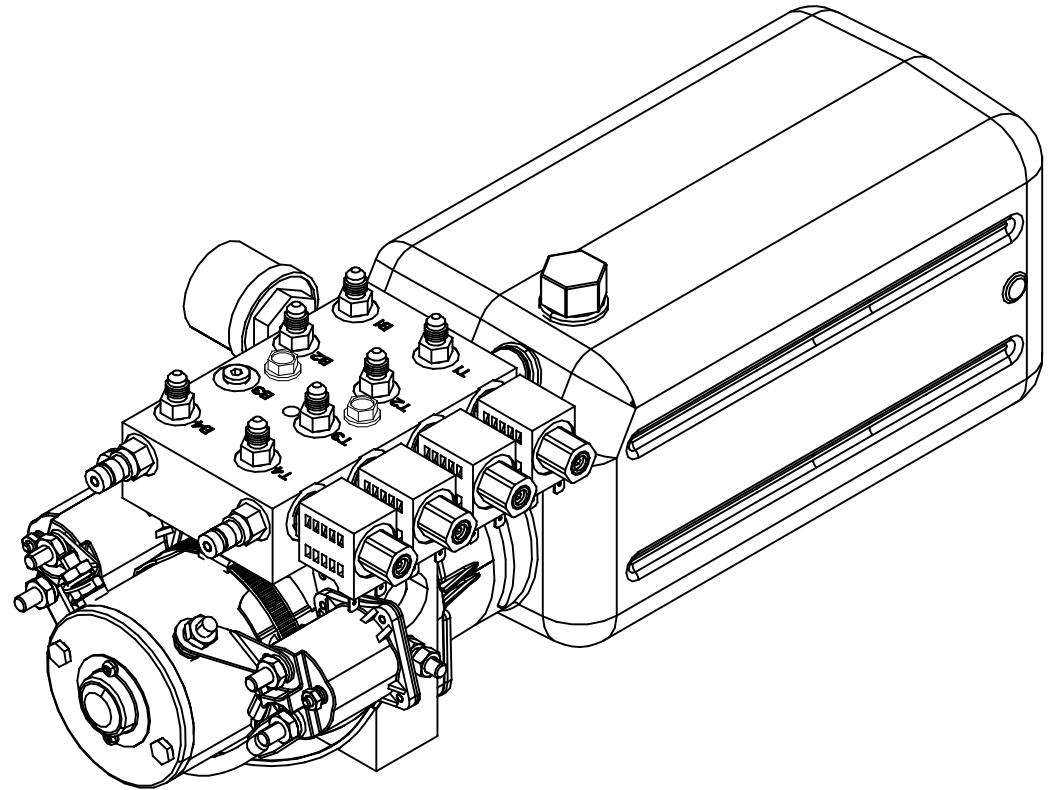


7545 PARTS LIST

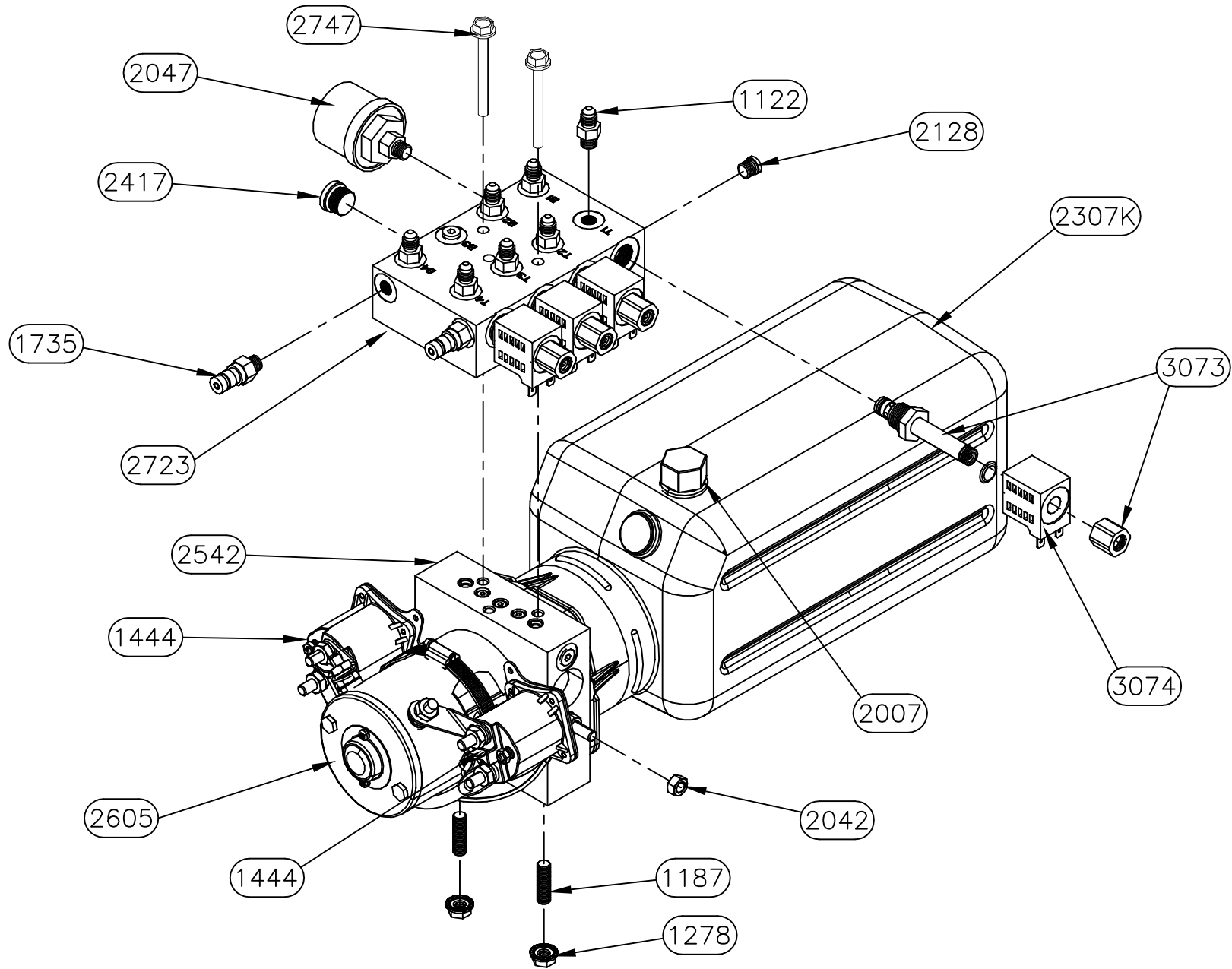
PART#	DESCRIPTION	QUAN
1122	FITTING-#4 OR MALE X #4 JIC	7
1187	SCREW-3/8-16 X 1 1/4 CUP PT SSS	2
1278	NUT-3/8 FLANGE	2
1735	FITTING-DF04-1/4 DIAG. TIP	2
2042	NUT-5/16-18 HEX ZINC	1
2047	SWITCH-PRESSURE SWITCH 1200 PSI	1
2128	PLUG-#4 SOCKET HEAD O-RING	3
2417	PLUG-SOCKET HEAD #8 O-RING	1
2542	PUMP-BIROTATE MTE 8 QT.	1
2723	MANIFOLD-BIROT 4 FUNC. COMPACT	1
2747	SCREW-5/16-18 X 2 1/4 FLANGE	2
3073	VALVE-DELTROL	4
3074	COIL-DELTROL	4
6572	HARNESS, 10" POWER AND GROUND FEED	1
6648BR	HARNESS, 4 FUNC PUMP GROUND BIROT	1
6791BR	HARNESS, PUMP 4 FUNC BR 9 PIN	1
1444	SOLENOID-HD PLTD	2
2007	CAP-MTE BREATHER	1
2307K	RESERVOIR-KIT-MTE 8QT.-2015, 2542, 1551	1
2605	MOTOR-MTE BIROT	1



NOTE:
 PARTS 1444, 2007, 2307K, & 2605 ARE INCLUDED IN PART 2542 AS AN ASSEMBLY (2307K ALSO INCLUDES 2007)
 PARTS 6572, 6648BR, & 6791BR ARE NOT SHOWN



#	REVISIONS	BY:	DATE:	UNLESS OTHERWISE SPECIFIED: TOLERANCES: .XXX ± 0.010 .XX ± 0.010 .X ± 0.030 ANG. ± 1/2"	TITLE 4 FUNC. BIROT. PUMP ASSEMBLY	USED ON: JAYCO/ENTEGRA
				REMOVE ALL BURRS AND SHARP EDGES .015 MAX	SIZE SCALE MATERIAL A 1:1 AS NOTED	
					DRW BY: SJ	PART NAME: PUMP & MANI 4 FUNC BIROT ENTEGRA
					DATE: 5/9/14	
					APP'D BY: -	PAGE: 1 OF 3
						DWG NO.: P7545
						REV: -

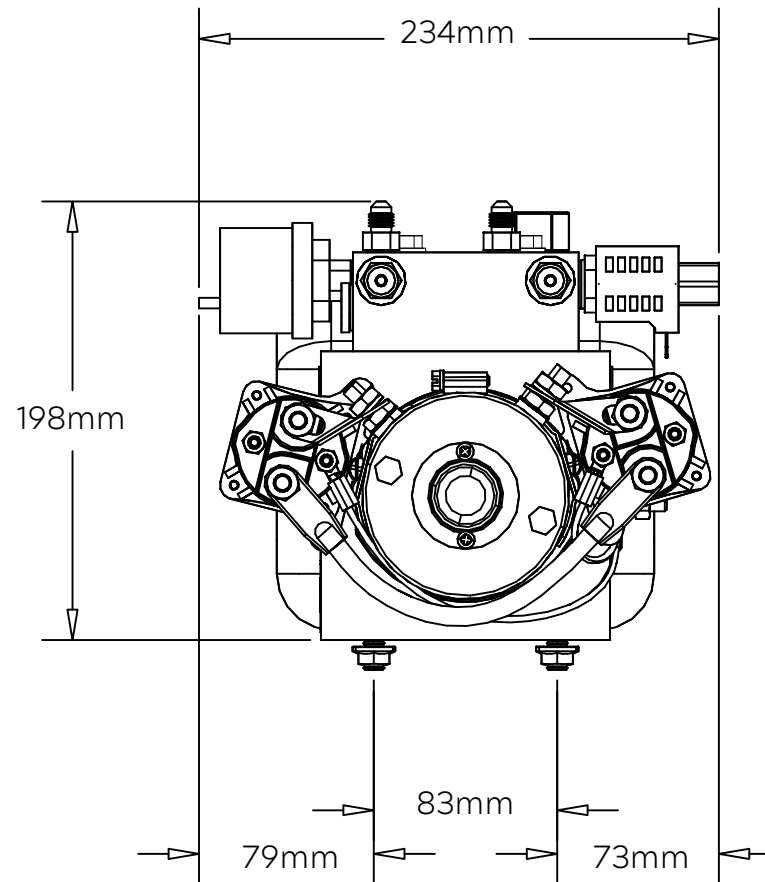
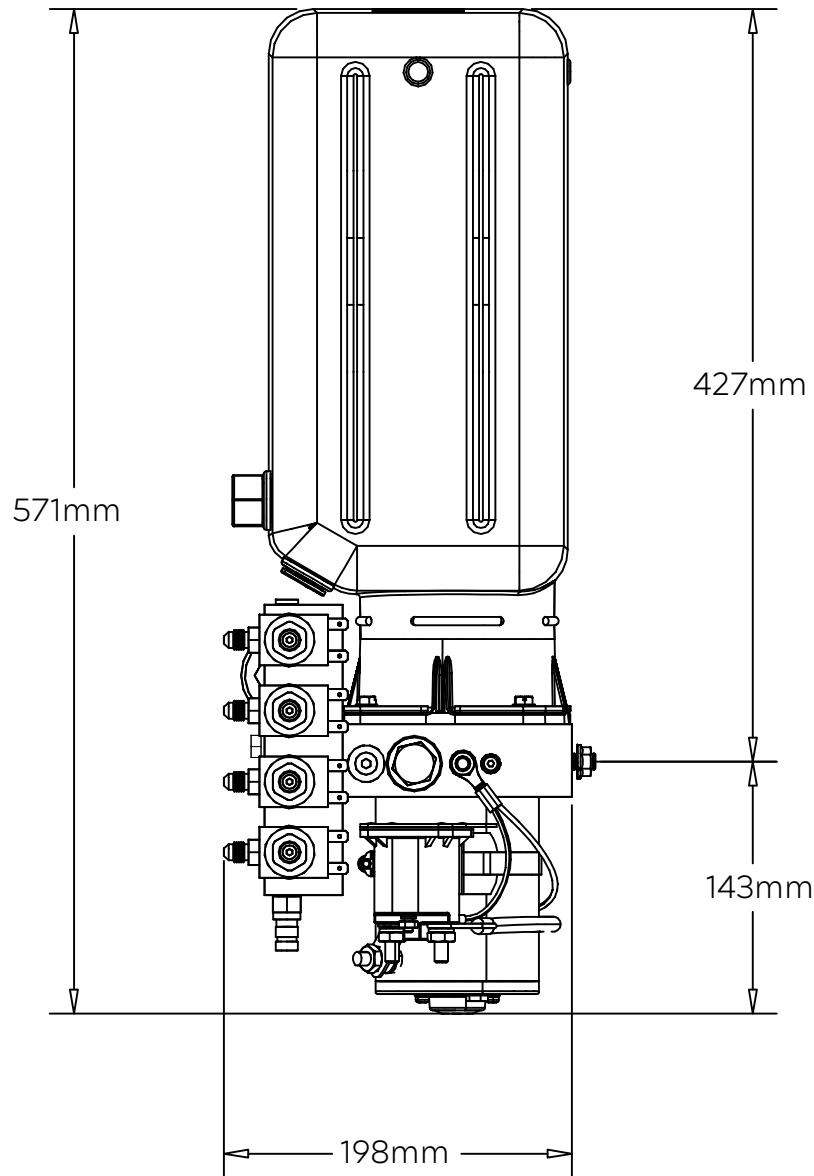


REDFOOT
LEVELLING

#	REVISIONS	BY:	DATE:

UNLESS OTHERWISE SPECIFIED:
TOLERANCES:
.XXX ± 0.010
.XX ± 0.010
.X ± 0.030
ANG. ± 1/2°
REMOVE ALL BURRS AND SHARP EDGES .015 MAX

TITLE		USED ON:	
4 FUNC. BIROT. PUMP ASSEMBLY		JAYCO/ENTEGRA	
SIZE	SCALE	MATERIAL	
A	1:1	AS NOTED	
DRW BY:	DATE:	PART NAME:	
SJ	5/9/14	PUMP & MANI 4 FUNC BIROT ENTEGRA	
APP'D BY:	DATE:	PAGE:	DWG NO.:
—	—	2 OF 3	P7545
			REV:
			—



REDFOOT
LEVELLING

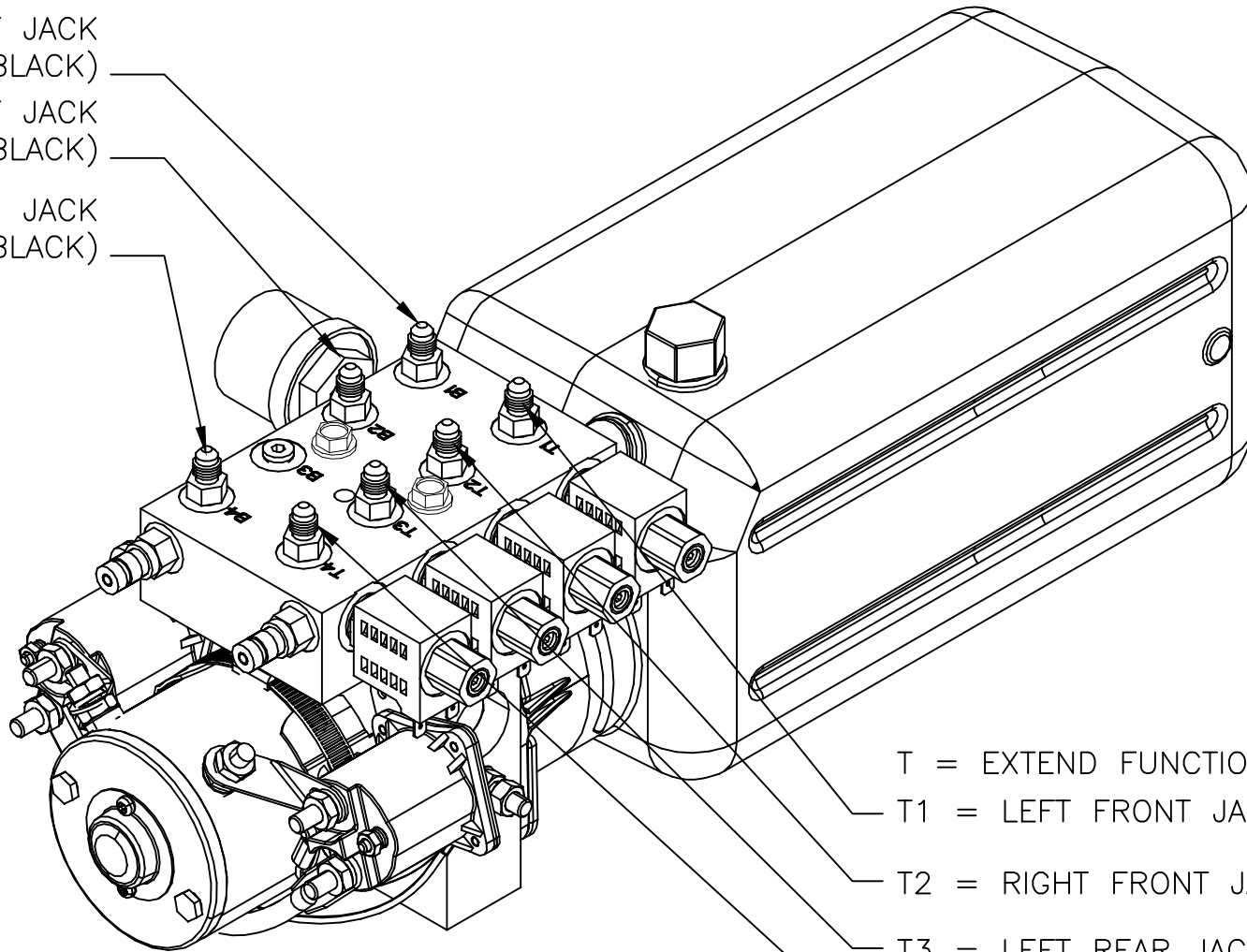
#	REVISIONS	BY:	DATE:

UNLESS OTHERWISE SPECIFIED:
 TOLERANCES:
 .XXX ± 0.010
 .XX ± 0.010
 .X ± 0.030
 ANG. ± 1/2°
 REMOVE ALL BURRS AND SHARP EDGES .015 MAX

TITLE 4 FUNC. BIROT. PUMP ASSEMBLY		USED ON: JAYCO/ENTEGRA	
SIZE A	SCALE 1:1	MATERIAL AS NOTED	
DRW BY: SJ	DATE: 5/9/14	PART NAME: PUMP & MANI 4 FUNC BIROT ENTEGRA	
APP'D BY -	DATE: -	PAGE: 3 OF 3	DWG NO.: P7545
			REV: -

HYDRAULIC HOSE CONNECTIONS 7545 PUMP

- B = RETRACT FUNCTION
- B1 = RIGHT FRONT JACK
(BROWN/BLACK)
- B2 = RIGHT FRONT JACK
(WHITE/BLACK)
- B4 = RIGHT REAR JACK
(YELLOW/BLACK)



- T = EXTEND FUNCTION
- T1 = LEFT FRONT JACK (BROWN)
- T2 = RIGHT FRONT JACK (WHITE)
- T3 = LEFT REAR JACK (ORANGE)
- T4 = RIGHT REAR JACK (YELLOW)

7545 PUMP WIRING

