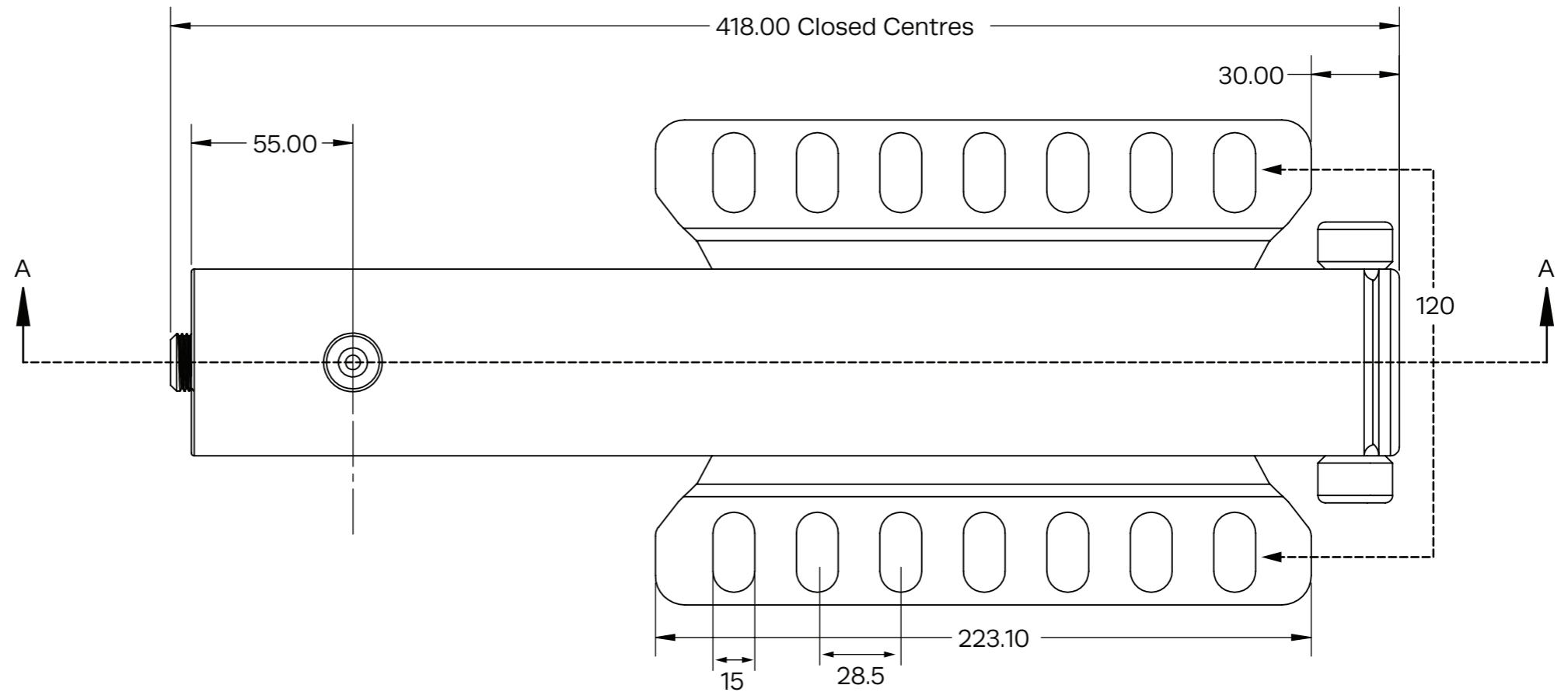
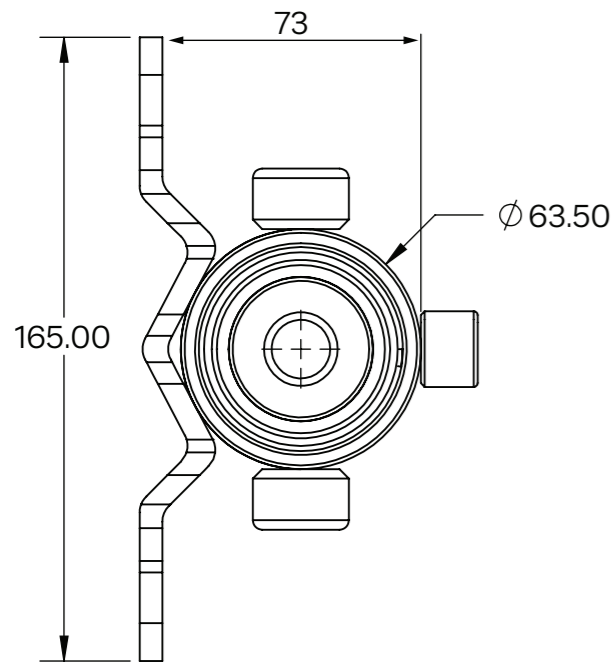
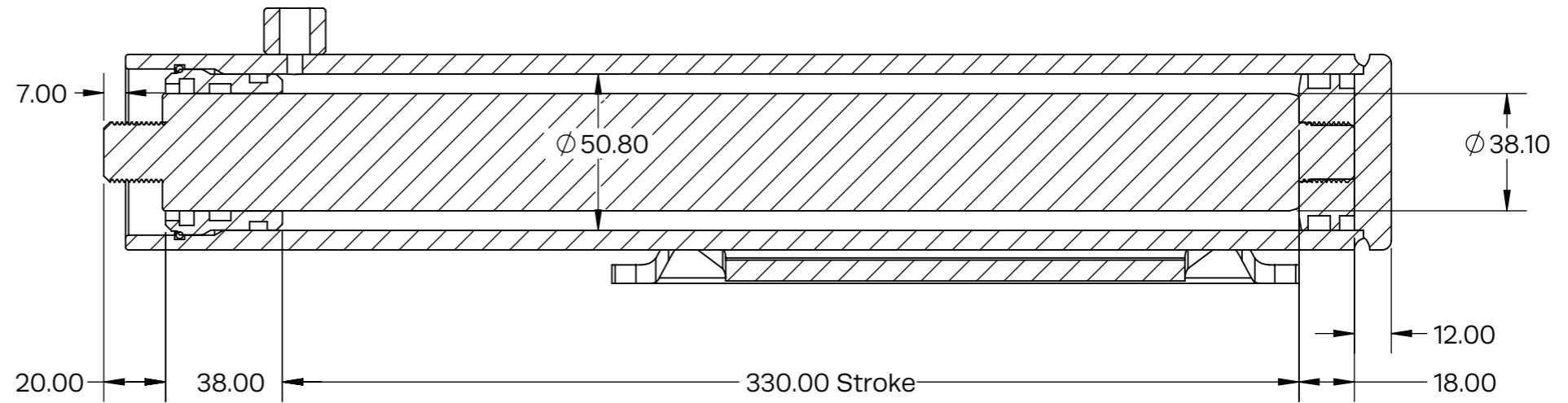


SECTION A-A



REDFOOT[®]
LEVELLING

www.redfootlevelling.com.au

TOLERANCES 0 ±0.5mm 0.0 ±0.1mm 0.00 ±0.02mm ANGLE ±0.5° UNLESS OTHERWISE STATED	THE INFORMATION CONTAINED IN THIS DRAWING IS PROPRIETARY TO REDFOOT LEVELLING AND SHALL NOT BE REPRODUCED OR DISCLOSED IN WHOLE OR IN PART OR USED FOR ANY DESIGN OR MANUFACTURE EXCEPT WHEN SUCH USER POSSESSES DIRECT WRITTEN AUTHORIZATION FROM REDFOOT LEVELLING.	DRAWN BY: LMS	DATE: 25/02/2021	BORE SIZE: 2.00"x402mm	SHAFT SIZE: 1.50"x406mm	RATED OPERATING PRESSURE: 3000 PSI	SEAL KIT NUMBER:	STAGE:	DESCRIPTION: 2"x1.5"x330 Titan RV Cylinder w/ sensor mount				
		CHECKED BY: LSC	3RD ANGLE PROJECTION	BASE MOUNT: BF200	BASE BEARING:	BASE PORT: 9-16" -6 UNO x2	ZONE:						
		DIMENSIONS ARE MILLIMETERS UNLESS OTHERWISE STATED. DO NOT SCALE DRAWING.				SHAFT MOUNT: 3/4" -16 UNF x19mm thread	SHAFT BEARING:	HEAD PORT: 7-16" -4 UNO	TYPE:	SCALE: 1:2	SHEET: A3	SHEET: 1 of 1	PART NUMBER: 6106055