

Connect to hose at top of left front jack. (Extend)

Connect to hose at top of right front jack. (Extend)

Connect to hose at top of left rear jack. (Extend)

Connect to hose at top of right rear jack. (Extend)

Connect to hose at bottom of left front jack. (Retract)

Connect to hose at bottom of right front jack. (Retract)

Connect to hose at bottom of left rear jack. (Retract)

Connect to hose at bottom of right rear jack. (Retract)

CONNECT 24VDC+ HERE

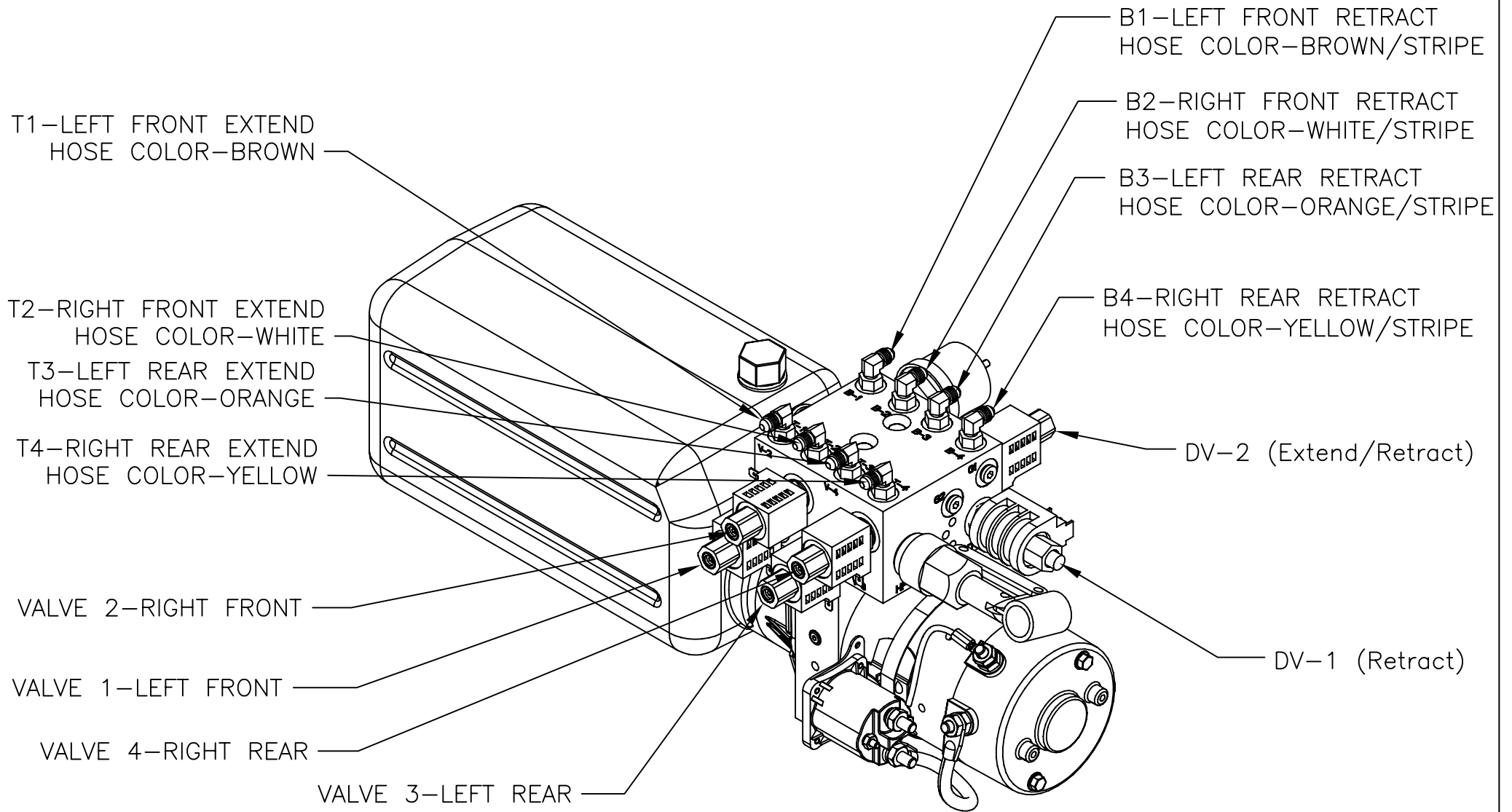
CONNECT GROUND HERE

**REDFOOT**  
LEVELLING

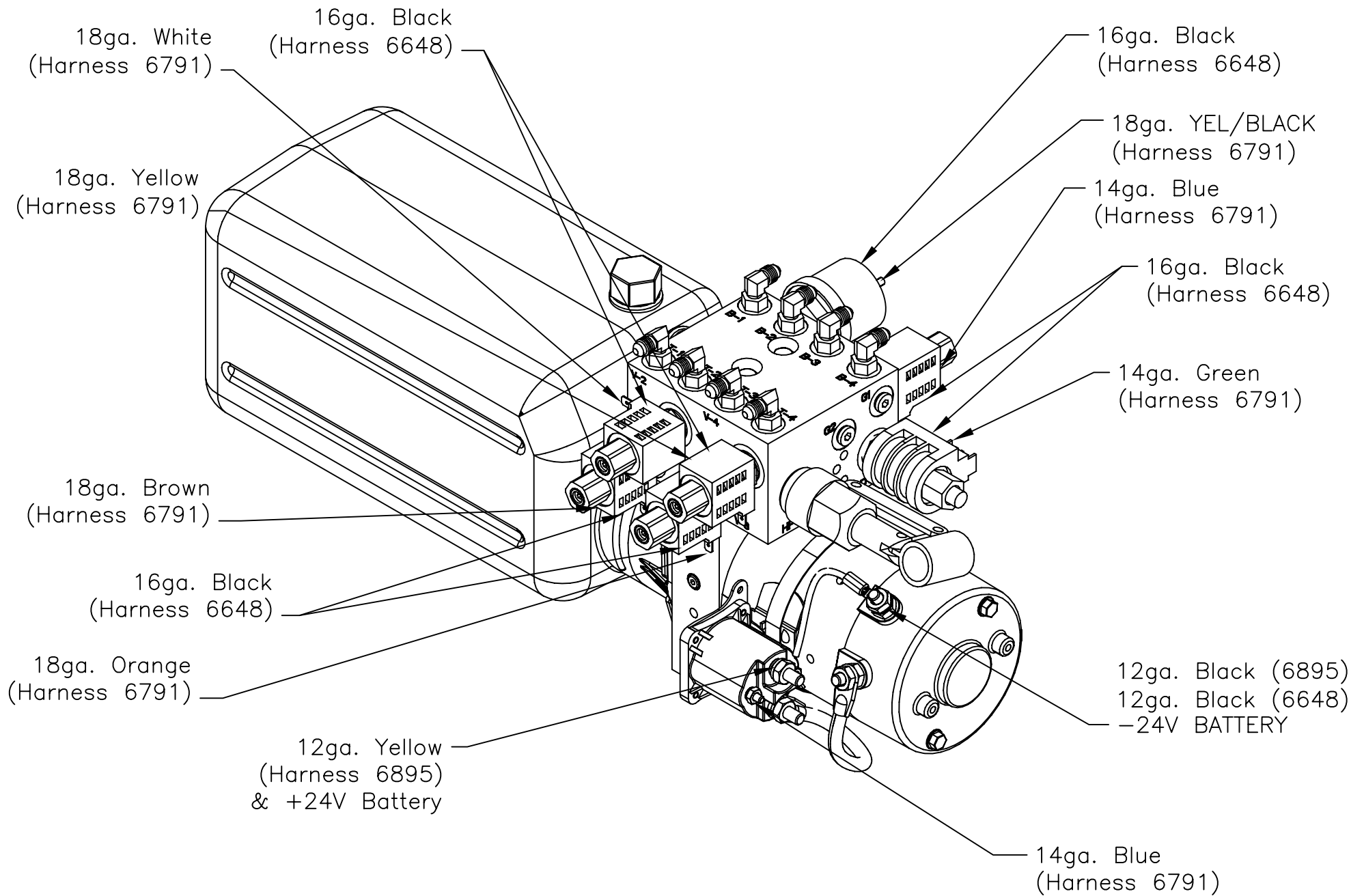
#	REVISIONS	BY:	DATE:

UNLESS OTHERWISE SPECIFIED:  
 TOLERANCES:  
 .XXX ± 0.010  
 .XX ± 0.010  
 .X ± 0.030  
 ANG. ± 1/2°  
 REMOVE ALL BURRS AND SHARP EDGES .015 MAX

TITLE PUMP ASSEMBLY		USED ON: 24V SYSTEMS	
SIZE A	SCALE 1: 1	MATERIAL	
DRW BY: SJ	DATE: 4/2/13	PART NAME: PUMP & MAN 24VDC 4 FUNC PS MOHP	
APP'D BY: —	DATE: —	PAGE: 1 OF 4	DWG NO.: 7702MO
			REV: —



	#	REVISIONS	BY:	DATE:	UNLESS OTHERWISE SPECIFIED: TOLERANCES: .XXX ± 0.010 .XX ± 0.010 .X ± 0.030 ANG. ± 1/2" REMOVE ALL BURRS AND SHARP EDGES .015 MAX	TITLE		USED ON:		
						HOSE CONNECTIONS		24V SYSTEMS		
						SIZE	SCALE	MATERIAL		
						A	1:1			
						DRW BY:	DATE:	PART NAME:		
				SJ	4/2/13	PUMP & MAN 24VDC 4 FUNC PS MOHP				
				APP'D BY:	DATE:	PAGE:	DWG NO.:	REV:		
				—	—	2 OF 4	7702MO	—		

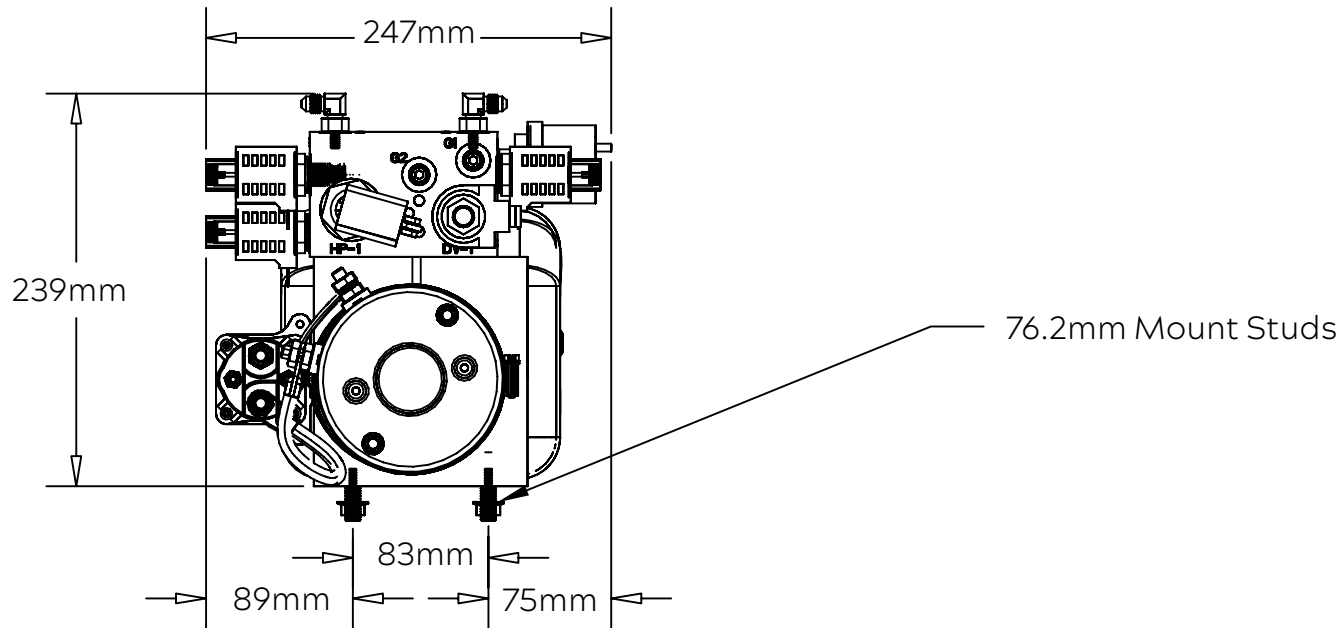
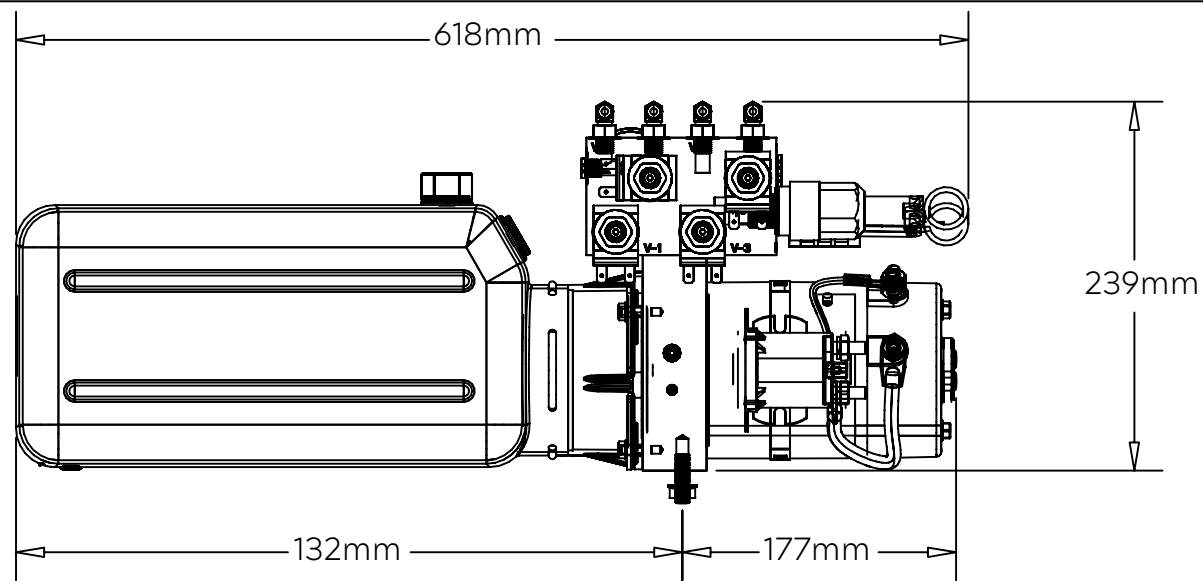


**REDFOOT**  
LEVELLING

#	REVISIONS	BY:	DATE:

UNLESS OTHERWISE SPECIFIED:  
TOLERANCES:  
.XXX ± 0.010  
.XX ± 0.010  
.X ± 0.030  
ANG. ± 1/2"  
REMOVE ALL BURRS AND SHARP EDGES .015 MAX

TITLE		USED ON:	
PUMP WIRING DETAIL		24V SYSTEMS	
SIZE	SCALE	MATERIAL	
A	1: 1		
DRW BY:	DATE:	PART NAME:	
SJ	4/2/13	PUMP & MAN 24VDC 4 FUNC PS MOHP	
APP'D BY:	DATE:	PAGE:	DWG NO.:
		3 OF 4	7702MO
			REV:



**REDFOOT**  
LEVELLING

#	REVISIONS	BY:	DATE:

UNLESS OTHERWISE SPECIFIED:  
TOLERANCES:  
.XXX ± 0.010  
.XX ± 0.010  
.X ± 0.030  
ANG. ± 1/2°  
REMOVE ALL BURRS AND SHARP EDGES .015 MAX

TITLE PUMP ASSEMBLY		USED ON: 24V SYSTEMS
SIZE A	SCALE 1: 1	MATERIAL
DRW BY: SJ	DATE: 4/2/13	PART NAME: PUMP & MAN 24VDC 4 FUNC PS MOHP
APP'D BY	DATE:	PAGE: 4 OF 4
		DWG NO.: 7702MO
		REV: 