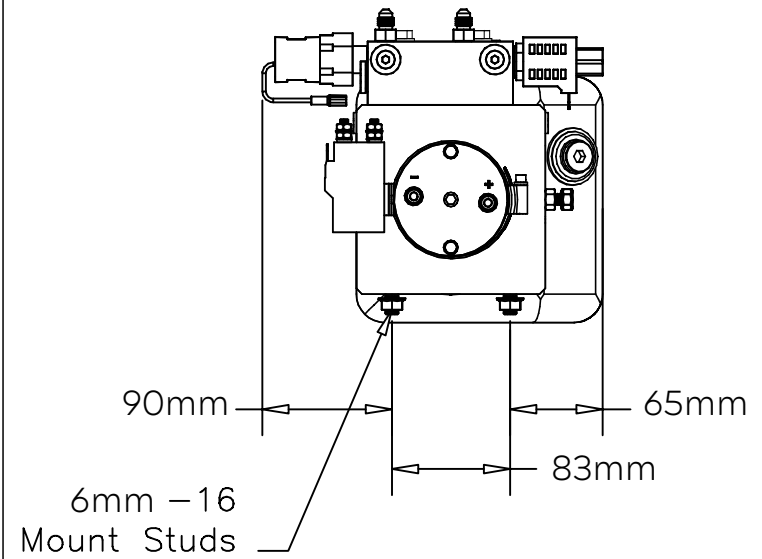
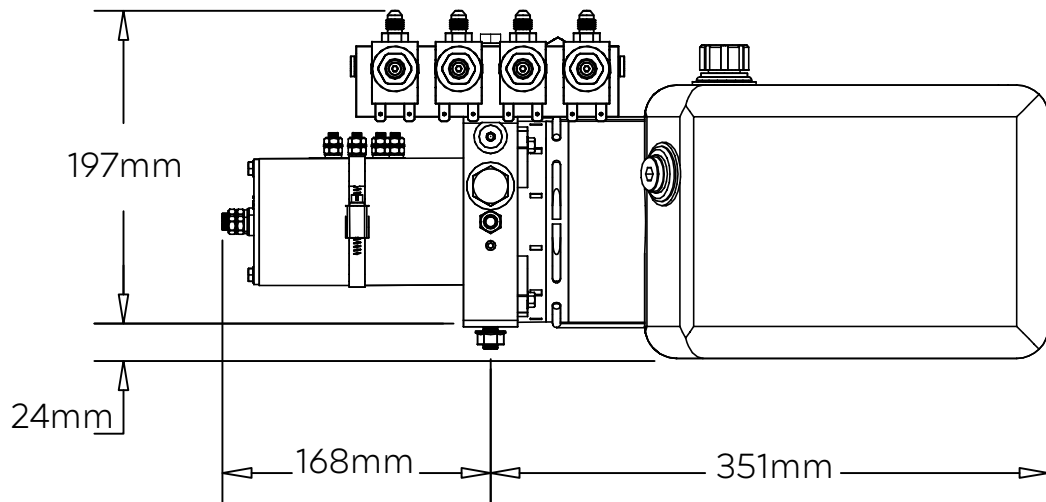
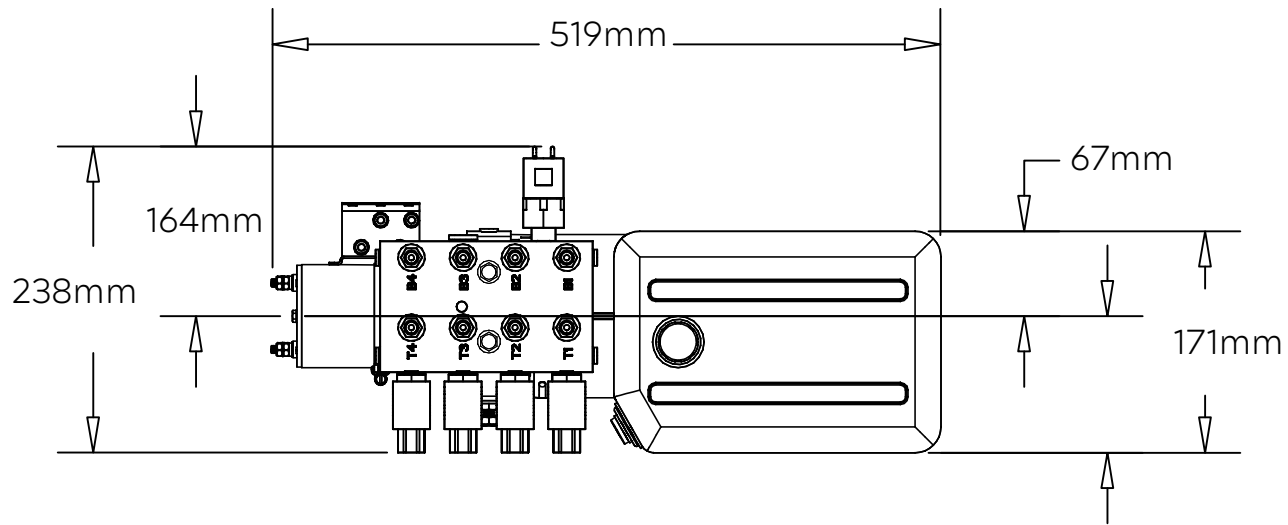


REDFOOT
LEVELLING

#	REVISIONS	BY:	DATE:

UNLESS OTHERWISE SPECIFIED:
 TOLERANCES:
 .XXX ± 0.010
 .XX ± 0.010
 .X ± 0.030
 ANG. ± 1/2°
 REMOVE ALL BURRS AND SHARP EDGES .015 MAX

TITLE 4 FUNCTION PUMP		USED ON: AUTOMATIC LEVELING SYSTEMS	
SIZE A	SCALE 1: 1	MATERIAL	
DRW BY: SJ	DATE: 5/2/18	PART NAME: PUMP & MAN 4 FUN BIROT M/O 3 IN NPF-KS	
APP'D BY: -	DATE: -	PAGE: 2 OF 3	DWG NO.: P7846KS
			REV: -



REDFOOT
LEVELLING

#	REVISIONS	BY:	DATE:

UNLESS OTHERWISE SPECIFIED:
TOLERANCES:
.XXX ± 0.010
.XX ± 0.010
.X ± 0.030
ANG. ± 1/2°
REMOVE ALL BURRS AND SHARP EDGES .015 MAX

TITLE 4 FUNCTION PUMP		USED ON: AUTOMATIC LEVELING SYSTEMS
SIZE A	SCALE 1:1	MATERIAL
DRW BY: SJ	DATE: 5/2/18	PART NAME: PUMP & MAN 4 FUN BIROT M/O 3 IN NPF-KS
APP'D BY: —	DATE: —	PAGE: 3 OF 3
DWG NO.: P7846KS		REV: —

HYDRAULIC HOSE CONNECTIONS 7846KS (3195KS PUMP)

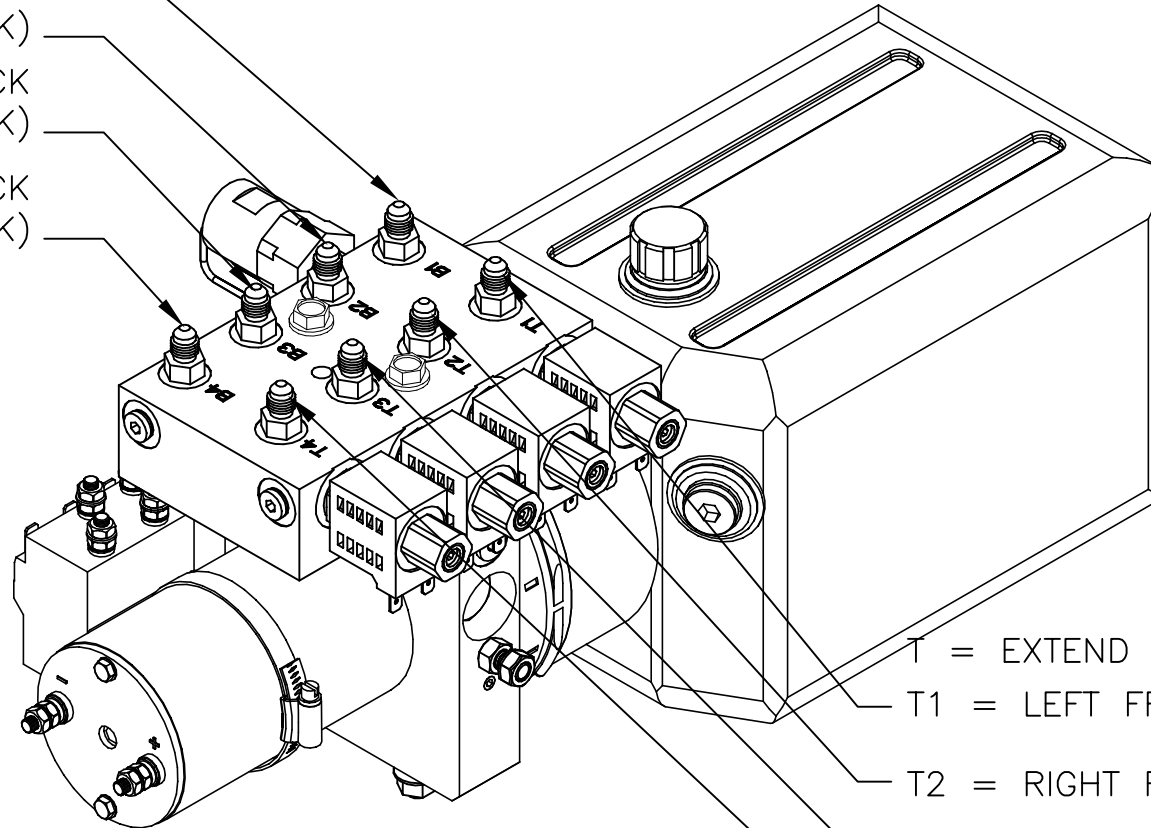
B = RETRACT FUNCTION

B1 = LEFT FRONT JACK
(BROWN/BLACK)

B2 = RIGHT FRONT JACK
(WHITE/BLACK)

B3 = LEFT REAR JACK
(ORANGE/BLACK)

B4 = RIGHT REAR JACK
(YELLOW/BLACK)



T = EXTEND FUNCTION

T1 = LEFT FRONT JACK (BROWN)

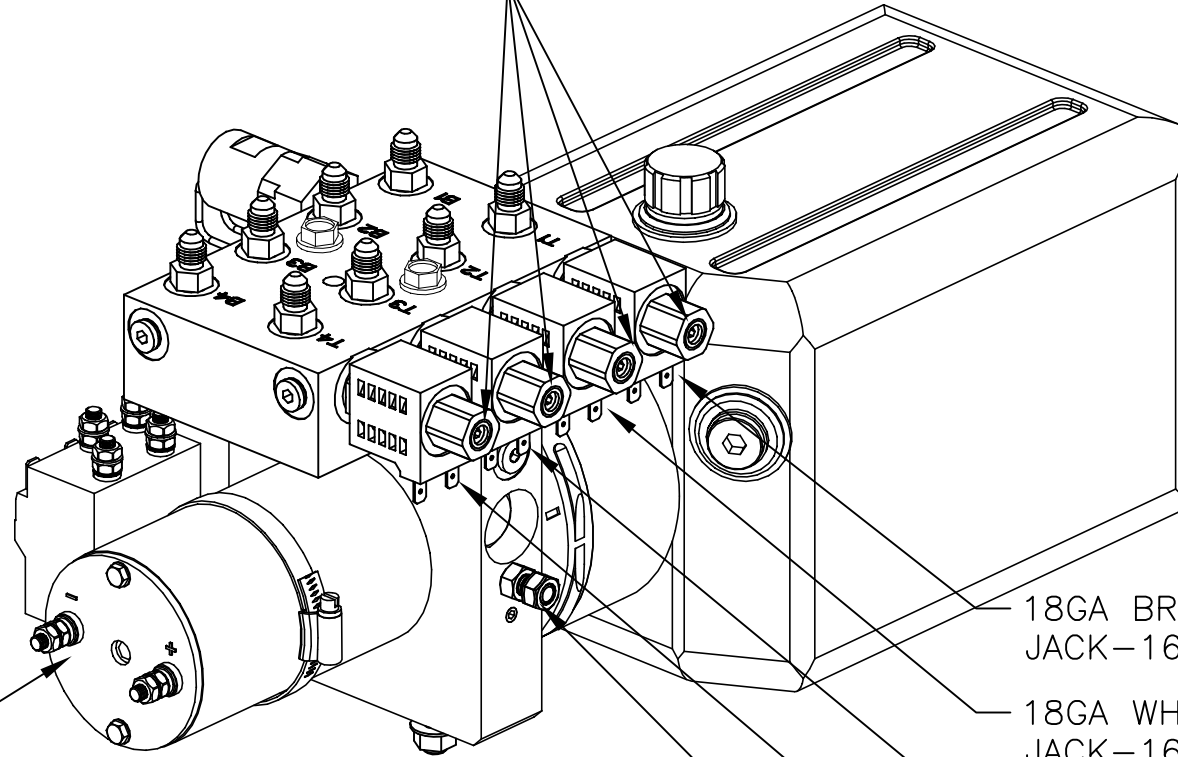
T2 = RIGHT FRONT JACK (WHITE)

T3 = LEFT REAR JACK (ORANGE)

T4 = RIGHT REAR JACK (YELLOW)

7948KS (3195KS PUMP) WIRING

MANUAL OVERRIDE SCREWS



6mm ALLEN SOCKET
MANUAL OVERRIDE
LOCATED UNDER STICKER

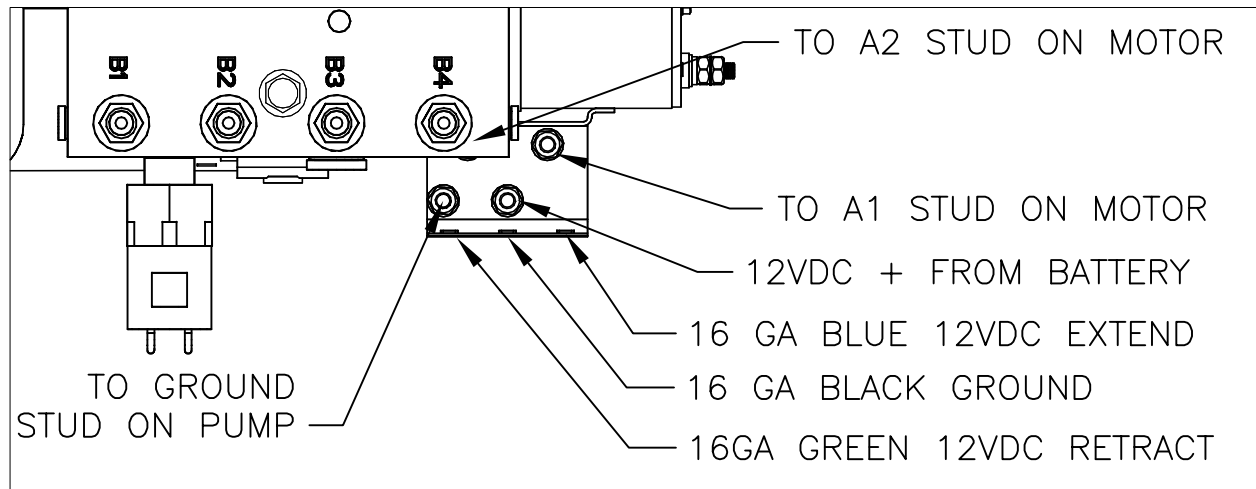
18GA BROWN 12VDC LEFT FRONT
JACK-16GA BLACK GROUND

18GA WHITE 12VDC RIGHT FRONT
JACK-16GA BLACK GROUND

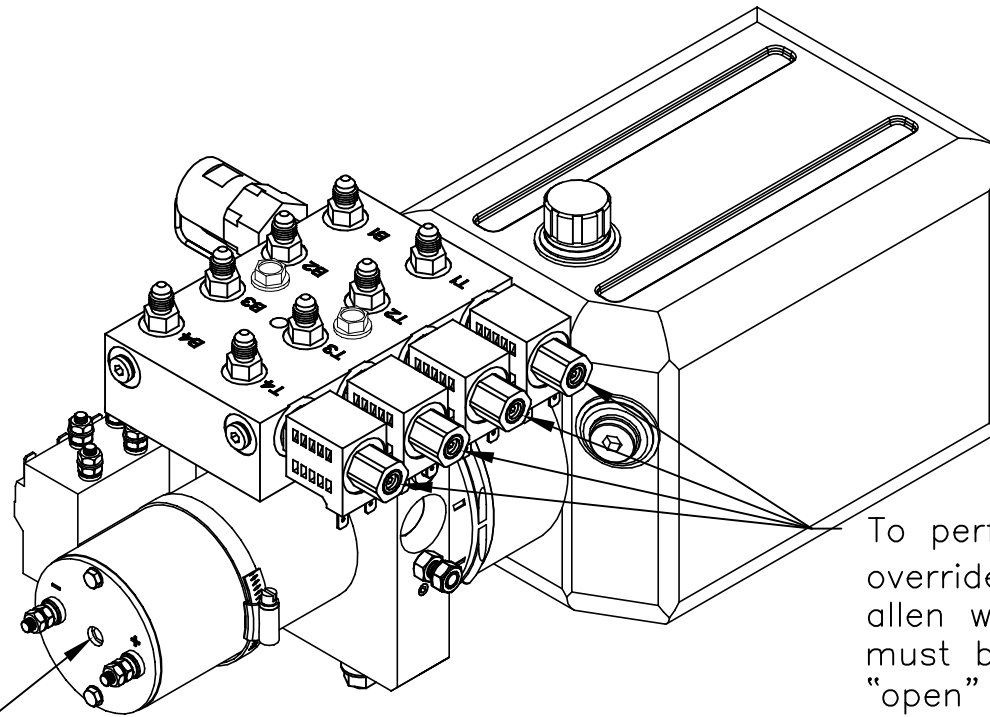
18GA ORANGE 12VDC LEFT REAR
JACK-16GA BLACK GROUND

18GA YELLOW 12VDC RIGHT REAR
JACK-16GA BLACK GROUND

GROUND STUD FOR PUMP ASSEMBLY



Small Bi-Rotational Pump Assembly



Manual override screw, 6mm allen head, is under this sticker. Using a 2000 rpm minimum drill, retract jacks by turning counter clockwise. To extend, turn screw clockwise.

To perform the manual override procedure, using a 3mm allen wrench, all set screws must be turned clockwise "open" until they are snug. Once all levelers are retracted, turn all valve screws counter clockwise "closed" until snug.